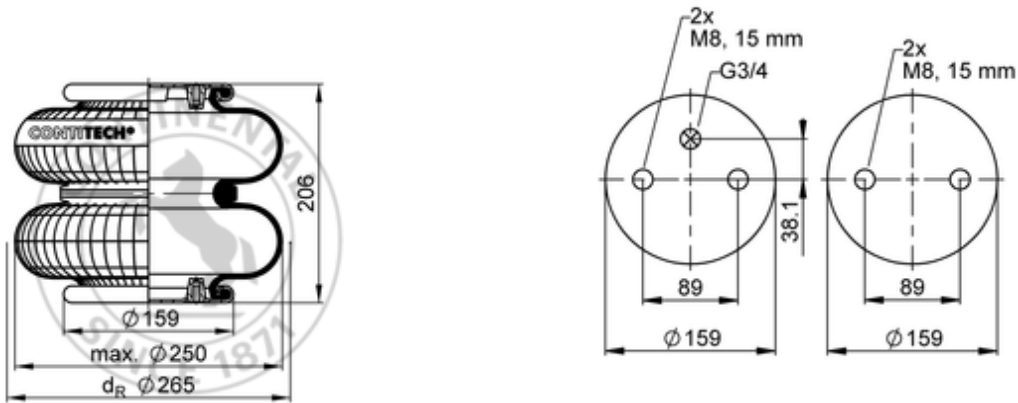


**FD 200-19 3/4 M8**
**72046**


- bolt or stud
- hole
- combination stud
- air inlet
- stud and nut

|    |                  |
|----|------------------|
| kg | 2,8 kg           |
|    | G3/4: max. 50 Nm |
|    | M8: max. 25 Nm   |

**OE Manufacturer/Part No.**

| Manufacturer | Original Part No. | Model |
|--------------|-------------------|-------|
| Gigant       | 700190130         |       |
| Gigant       | 190130            |       |
| Gigant       | 00190130          |       |
| KRONE        | 550011095         |       |