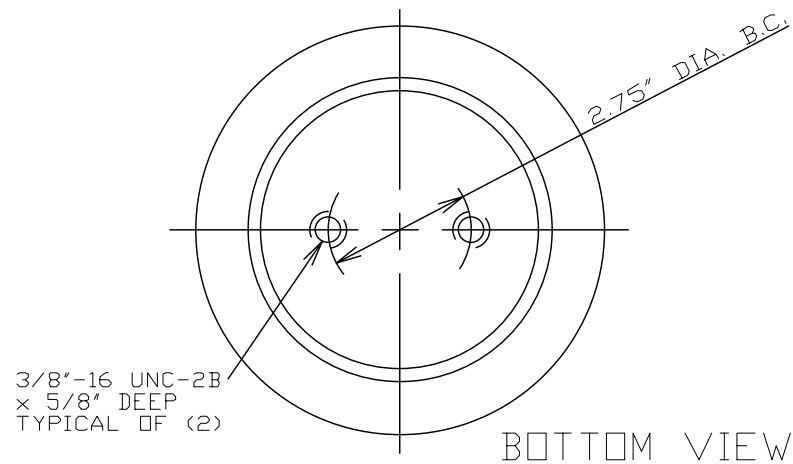
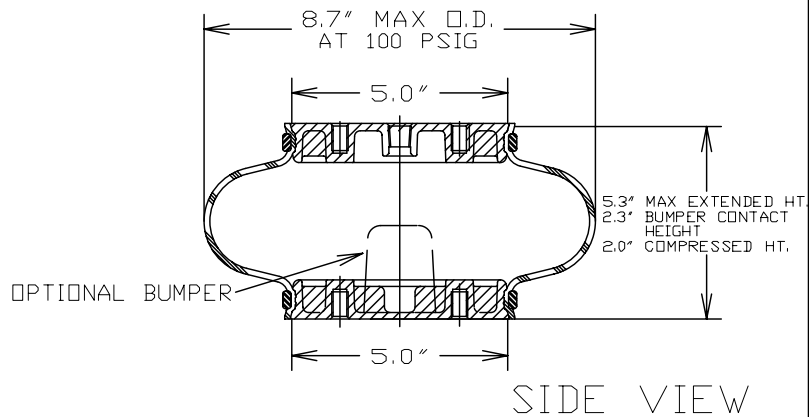
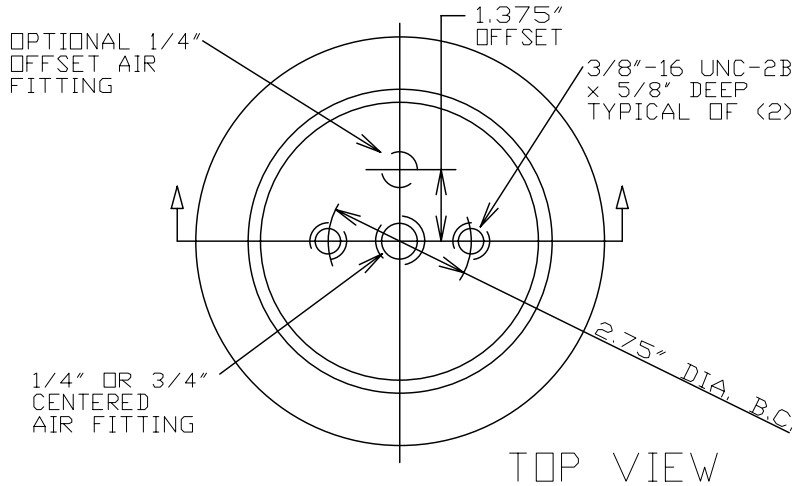


# 1B8-550



ASSEMBLY NUMBER	ELASTOMER	AIR FITTING	BUMPER INCLUDED
1B8-550	WINGPRENE	1/4"-18 NPTF CENTERED	NO
1B8-552	WINGPRENE	3/4"-14 NPTF CENTERED	NO
1B8-553	WINGPRENE	1/4"-18 NPTF OFFSET 1.375"	NO
1B8-554	WINGPRENE	1/4"-18 NPTF OFFSET 1.375"	YES

## SPRING FEATURES:

- LOAD RANGE (ISOLATOR).....320-2900 lb
- DESIGN HEIGHT RANGE (ISOLATOR)....3.75-4.75 in
- USEABLE STROKE w/o BUMPER (ACTUATOR)....3.3 in
- USEABLE STROKE WITH BUMPER (ACTUATOR)...3.0 in
- ASSEMBLY WEIGHT w/o BUMPER.....4.7 lb
- TEMPERATURE RANGE\*.....
- FORCE TO COMPRESS AT 0 PSIG (APPROX.)....25 lb
- NOMINAL FREE STANDING HT. AT 0 PSIG....2.3 in

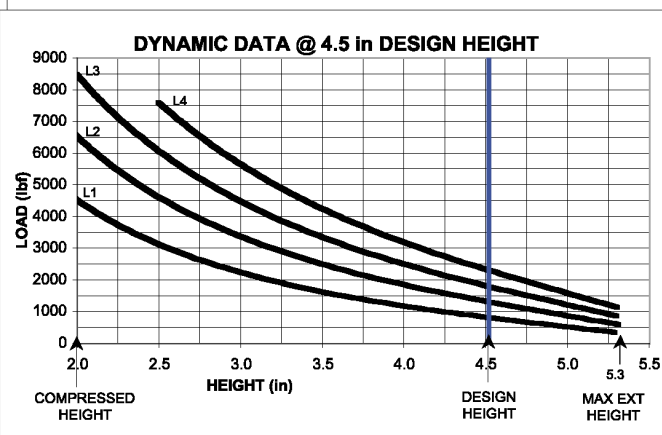
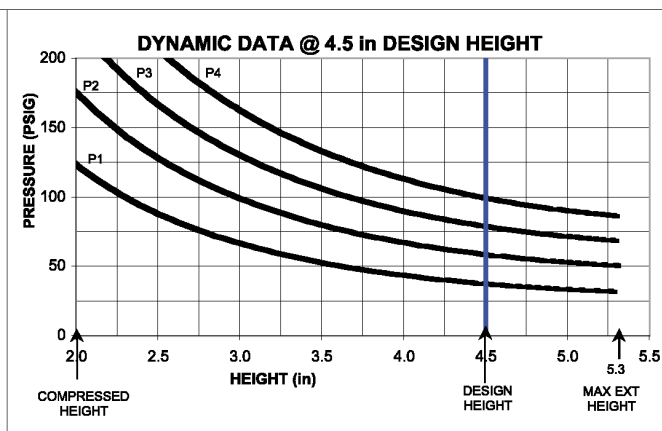
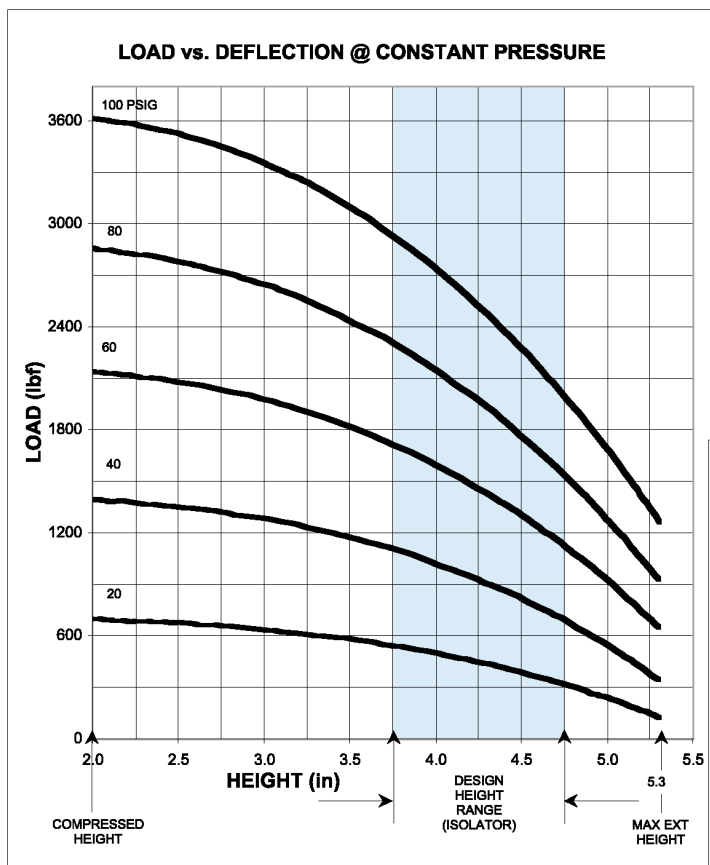
\* NOTE: PRODUCT LIFE MAY BE SHORTENED WHEN OPERATING AT OR NEAR EXTREME TEMPERATURES. SEE TEMPERATURE RANGE GUIDELINES SECTION.

## RECOMMENDED MAX. TORQUE VALUES

3/8"-16 UNC BLIND TAP TYP. OF (4)	1/4"-18 UNC AIR FITTING	3/4"-14 UNC AIR FITTING
240 in-lb 20 ft-lb	240 in-lb 20 ft-lb	240 in-lb 20 ft-lb

NOTE: SEE GUIDELINES FOR PROPER APPLICATION OF THIS PRODUCT

GRAPHS FOR REFERENCE ONLY - USE THE CHART DATA BELOW FOR DESIGN WORK



**\*\*NOTE: MAXIMUM INFLATION PRESSURE IS 100 PSIG. MAXIMUM JOUNCE PRESSURE IS 200 PSIG. IF YOUR APPLICATION WILL EXCEED THESE LIMITS, CONSULT A GOODYEAR REPRESENTATIVE FOR APPLICATION ASSISTANCE.**

## CONSTANT PRESSURE CHARACTERISTICS

Assembly Height (in)	Volume @ 100 PSIG (in <sup>3</sup> )	Nominal Force (lb)				
		@ 20 PSIG	@ 40 PSIG	@ 60 PSIG	@ 80 PSIG	@ 100 PSIG
5.3	145	100	300	550	800	1100
5.0	138	240	540	900	1000	1600
4.75	133	320	680	1100	1500	2000
4.5	128	380	800	1300	1700	2200
3.75	110	540	1100	1700	2300	2900
3.5	104	580	1150	1900	2500	3100
3.0	90	620	1250	2000	2700	3300
2.5	78	640	1300	2100	2800	3500
2.0	60	660	1350	2100	2800	3600

## DYNAMIC CHARACTERISTICS

Design Height (in)	Load (lb)	Pressure (PSIG)	Spring Rate (lb/in)	Natural Frequency	
				cpm	Hz
4.75	850	43	740	176	2.93
	1350	66	1100	170	2.83
	1850	88	1420	165	2.75
4.5	850	38	675	168	2.80
	1350	60	1010	162	2.70
	1850	80	1315	158	2.63
3.75	2400	100	1610	155	2.58
	850	30	620	160	2.67
	1350	47	895	153	2.55
3.5	1850	63	1170	149	2.48
	2400	80	1425	146	2.43