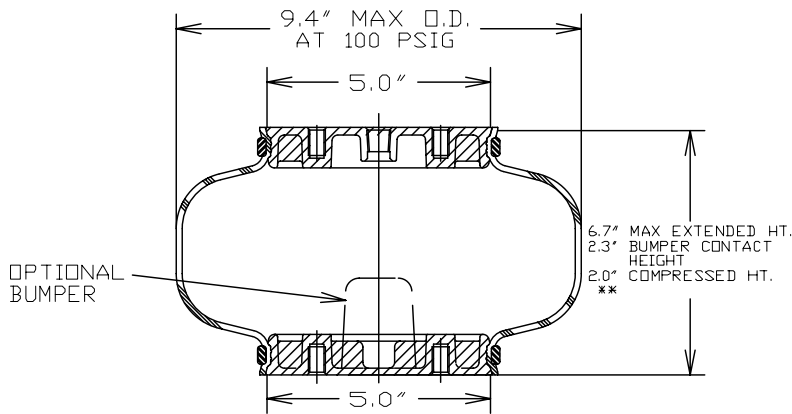
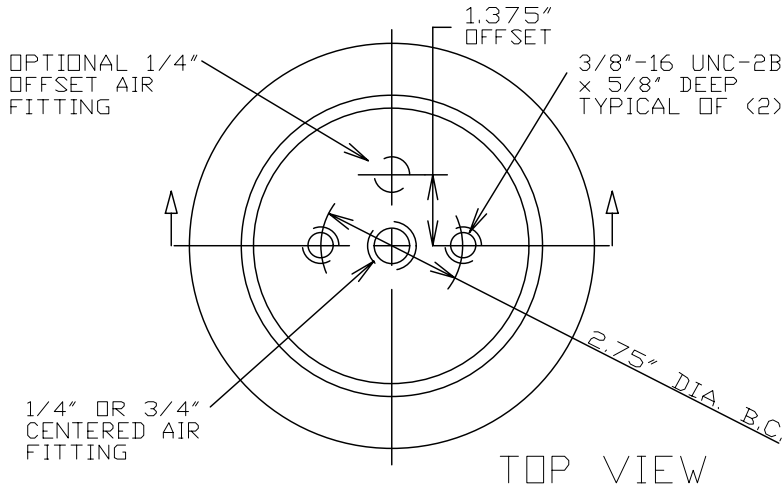
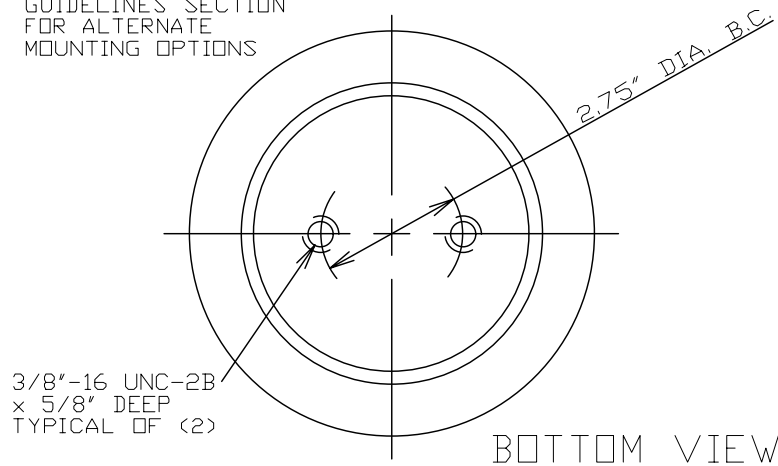


1B8-560



TOP AND BOTTOM SURFACE TO BE FULLY SUPPORTED BY 9.65" DIA. PLATE OR SEE INSTALLATION GUIDELINES SECTION FOR ALTERNATE MOUNTING OPTIONS



ASSEMBLY NUMBER	ELASTOMER	AIR FITTING	BUMPER INCLUDED
1B8-560	WINGPRENE	1/4"-18 NPTF CENTERED	NO
1B8-562	WINGPRENE	3/4"-14 NPTF CENTERED	NO
1B8-563	WINGPRENE	1/4"-18 NPTF OFFSET 1.375"	NO
1B8-564	WINGPRENE	1/4"-18 NPTF OFFSET 1.375"	YES

** - AS ACTUATOR DO NOT USE BELOW 35" HEIGHT. SEE INSTALLATION GUIDELINES.

SPRING FEATURES:

- LOAD RANGE (ISOLATOR).....180-3300 lb
- DESIGN HEIGHT RANGE (ISOLATOR).....4.0-6.5 in
- USEABLE STROKE w/o BUMPER (ACTUATOR)**...3.2 in
- USEABLE STROKE WITH BUMPER (ACTUATOR)..N.A. in
- ASSEMBLY WEIGHT w/o BUMPER.....4.8 lb
- TEMPERATURE RANGE.....*
- FORCE TO COMPRESS AT 0 PSIG (APPROX.)...25 lb
- NOMINAL FREE STANDING HT. AT 0 PSIG....3.3 in

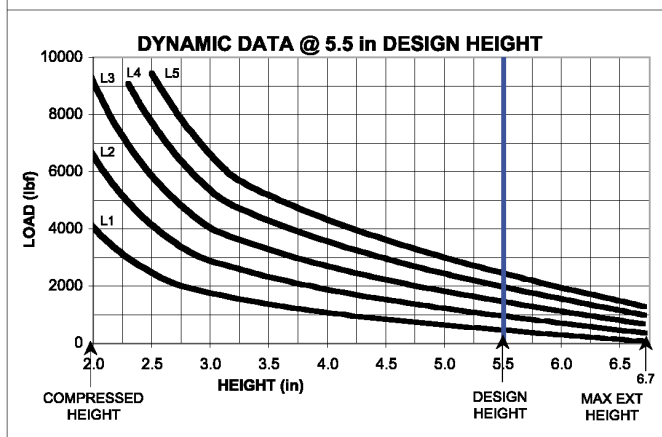
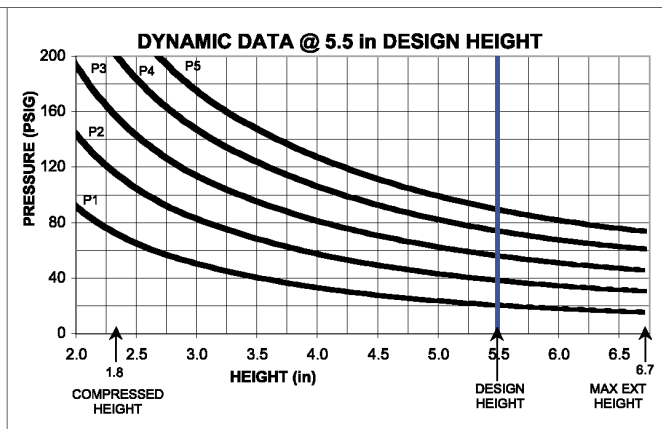
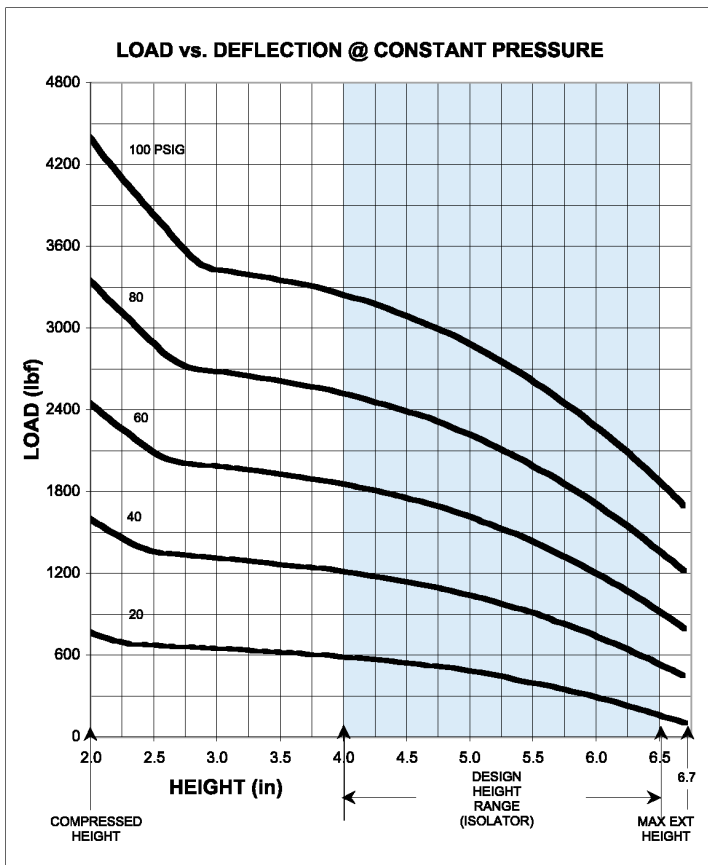
* NOTE: PRODUCT LIFE MAY BE SHORTENED WHEN OPERATING AT OR NEAR EXTREME TEMPERATURES. SEE TEMPERATURE RANGE GUIDELINES SECTION.

RECOMMENDED MAX. TORQUE VALUES

3/8"-16 UNC BLIND TAP TYP. OF (4)	1/4"-18 UNC AIR FITTING	3/4"-14 UNC AIR FITTING
240 in-lb 20 ft-lb	240 in-lb 20 ft-lb	240 in-lb 20 ft-lb

NOTE: SEE GUIDELINES FOR PROPER APPLICATION OF THIS PRODUCT

GRAPHS FOR REFERENCE ONLY - USE THE CHART DATA BELOW FOR DESIGN WORK



****NOTE: MAXIMUM INFLATION PRESSURE IS 100 PSIG. MAXIMUM JOUNCE PRESSURE IS 200 PSIG. IF YOUR APPLICATION WILL EXCEED THESE LIMITS, CONSULT A GOODYEAR REPRESENTATIVE FOR APPLICATION ASSISTANCE.**

CONSTANT PRESSURE CHARACTERISTICS

Assembly Height (in)	Volume @ 100 PSIG (in ³)	Nominal Force (lb)				
		@ 20 PSIG	@ 40 PSIG	@ 60 PSIG	@ 80 PSIG	@ 100 PSIG
6.7	239	80	450	750	1200	1600
6.5	235	180	540	950	1450	1900
5.5	208	420	900	1450	2000	2700
4.5	178	560	1150	1800	2400	3100
4.0	162	600	1200	1850	2600	3300
3.5	146	640	1300	1900	2700	3400
3.0	129	680	1350	2000	2700	3500
2.5	111	700	1350	2100	3000	3900
2.0	104	800	1650	2500	3500	4500

DYNAMIC CHARACTERISTICS

Design Height (in)	Load (lb)	Pressure (PSIG)	Spring Rate (lb/in)	Natural Frequency	
				cpm	Hz
6.5	500	32	480	184	3.07
	1000	56	725	160	2.67
	1500	78	965	151	2.52
	2000	98	1165	142	2.37
5.5	500	22	355	158	2.63
	1000	40	545	138	2.30
	1500	58	725	130	2.17
	2000	76	905	126	2.10
	2500	91	1045	122	2.03
4.0	500	15	322	150	2.50
	1000	31	520	134	2.23
	1500	46	670	125	2.08
	2000	61	860	122	2.03
	2500	76	1005	119	1.98