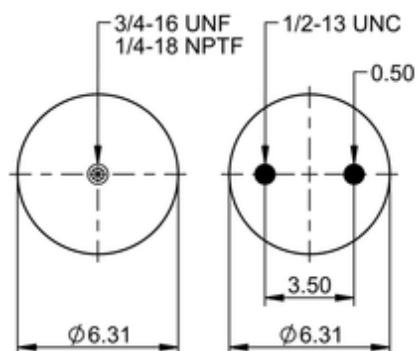
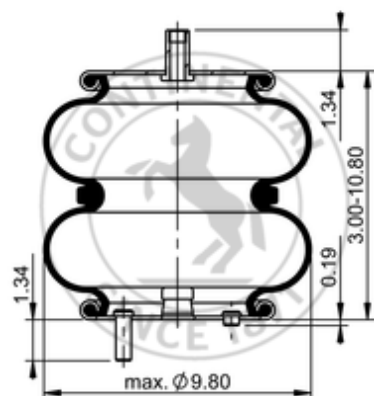






FD 200-19 1148

77120



	6.5 lb
	1/2-13 UNC: max. 35 lbf ft
	1/4-18 NPTF: max. 22 lbf ft
	3/4-16 UNF: max. 50 lbf ft

Cross-reference

Goodyear	2B9-296
Goodyear Flex No.	578-923-211
Triangle	AS-41148

OE Manufacturer/Reference No.

Manufacturer	Original-part no.	Model
Ridewell	1002B09296G	

