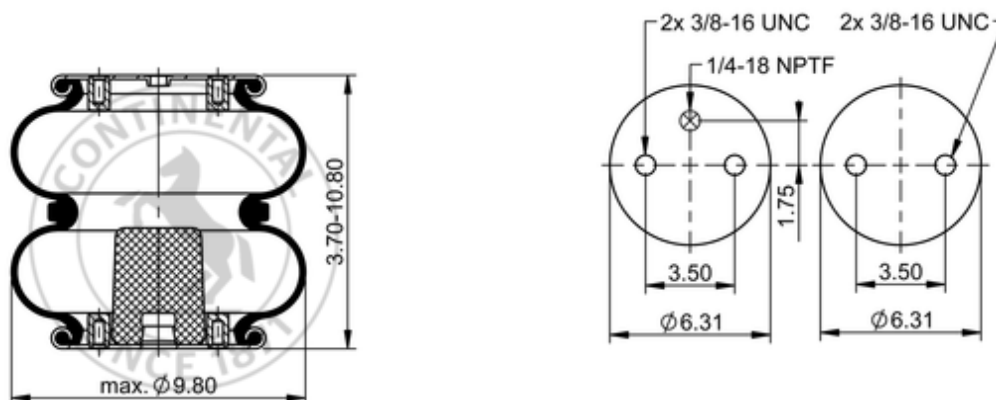





FD 200-19 310

64509



| | |
|---|-----------------------------|
|  | 7.6 lb |
|  | 1/4-18 NPTF: max. 22 lbf ft |
|  | 3/8-16 UNC: max. 20 lbf ft |

Cross-reference

| | |
|-------------------|--------------|
| Firestone Style | 20 |
| Firestone No. | W01-358-6902 |
| FleetPride | AS6902 |
| Goodyear | 2B9-239 |
| Goodyear Flex No. | 578923211 |
| Taurus | 6325 |
| Triangle | AS-4310 |
| TRP | AS69020 |
| Automann | SP2B12R-6902 |

OE Manufacturer/Reference No.

| Manufacturer | Original-part no. | Model |
|---------------------|--------------------------|--------------|
| Navistar/Fleetrite | 554784C1 | |
| R&S Truck | 1027505 | |
| Ridewell | 1003586902C | |
| SAF Holland | 57006902 | |
| Watson & Chalin | AS-0002 | |
| Suspensions, Inc. | 200042 | |
| Loadguard | SC2010 | |
| Granning | 4848 | |
| Hendrickson | S-2630 | |
| Brake & Wheel | M3500 | |
| Dayton | 354-6902 | |
| Arvin Meritor | 200042 | |