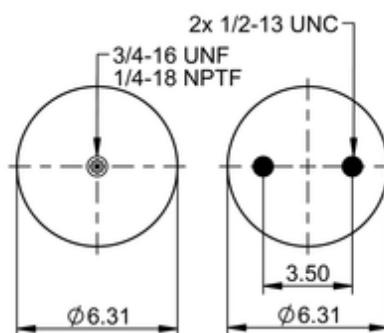
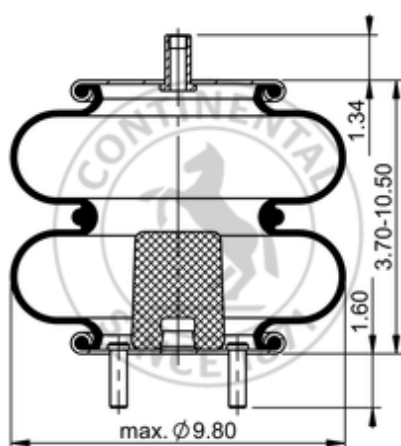






FD 200-19 450

64513



	7.6 lb
	1/2-13 UNC: max. 35 lbf ft
	1/4-18 NPTF: max. 22 lbf ft
	3/4-16 UNF: max. 50 lbf ft

Cross-reference

Firestone Style	20
Firestone No.	W01-358-6940
Goodyear	2B9-230
Goodyear Flex No.	578923202
Taurus	6325
Triangle	AS-4450
TRP	AS69400

Automann

SP2B12R-6940

OE Manufacturer/Reference No.

Manufacturer	Original-part no.	Model
Loadguard	SC2762	
Loadguard	SC2035	
Histeer	10305	