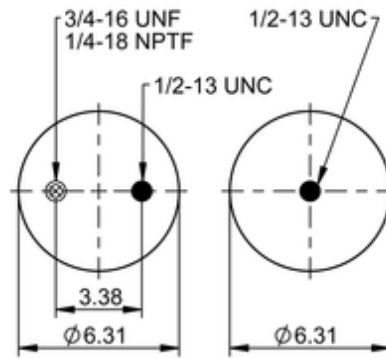
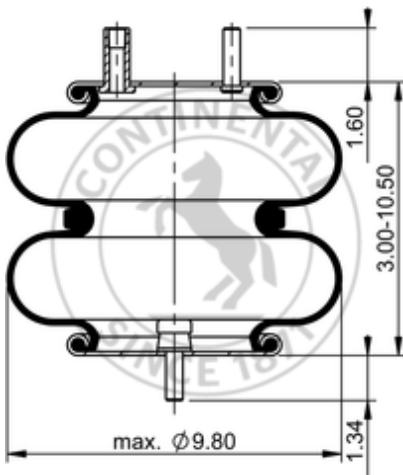






FD 200-19 506

64518



 lb	6.6 lb
	1/2-13 UNC: max. 35 lbf ft
	1/4-18 NPTF: max. 22 lbf ft
	3/4-16 UNF: max. 50 lbf ft

Cross-reference

Firestone Style	20
Firestone No.	W01-358-6949
FleetPride	AS6949
Taurus	6325
Triangle	AS-4506
TRP	AS69490
Automann	SP2B12R-6949

OE Manufacturer/Reference No.

Manufacturer	Original-part no.	Model
Arvin Meritor	200183	
Sauer	P10-872A	
Load Air	P10-872-A	