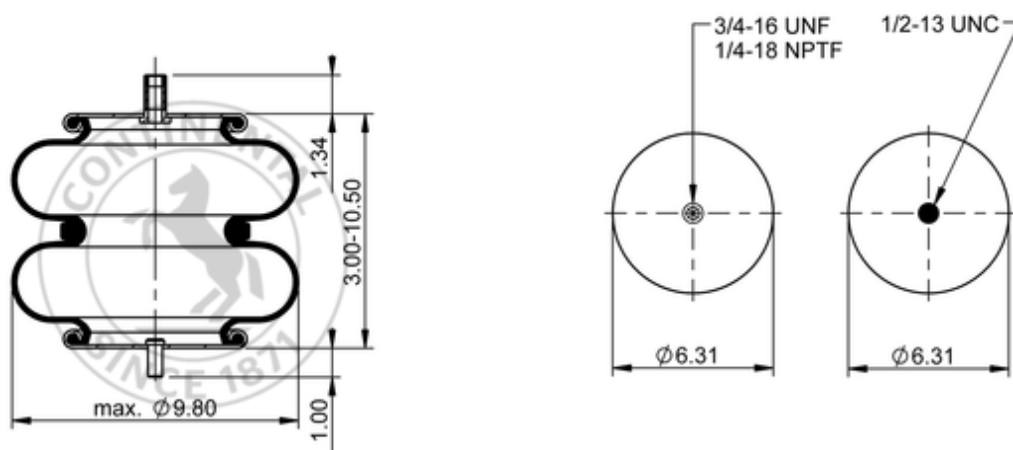






FD 200-19 761

75977



	6.4 lb
	1/2-13 UNC: max. 35 lbf ft
	1/4-18 NPTF: max. 22 lbf ft
	3/4-16 UNF: max. 50 lbf ft

### OE Manufacturer/Reference No.

Manufacturer	Original-part no.	Model
Watson & Chalin	AS-0058C	