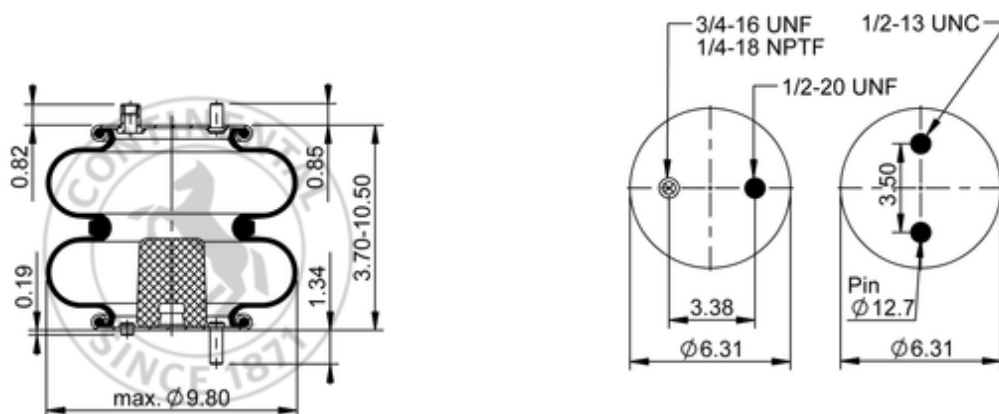






FD 200-19 894

70658



 lb	7 lb
	1/2-13 UNC: max. 35 lbf ft
	1/4-18 NPTF: max. 22 lbf ft
	3/4-16 UNF: max. 50 lbf ft

Cross-reference

Goodyear	2B9-614
Triangle	AS-4894
TRP	AS08944
Automann	SP2B12R-C894

OE Manufacturer/Reference No.

Manufacturer	Original-part no.	Model
--------------	-------------------	-------

