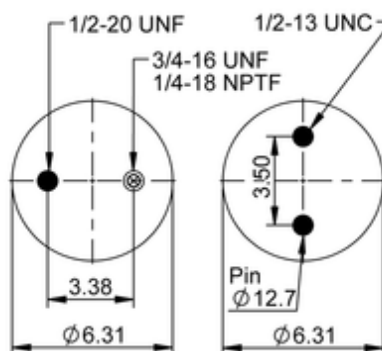
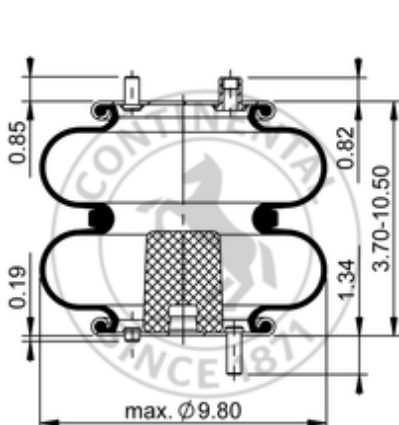






FD 200-19 895

70659



	3.7 lb
	1/2-13 UNC: max. 35 lbf ft
	1/4-18 NPTF: max. 22 lbf ft
	3/4-16 UNF: max. 50 lbf ft

### Cross-reference

Goodyear	2B9-611
Triangle	AS-4895
TRP	AS08954
Automann	SP2B12R-C895

### OE Manufacturer/Reference No.

Manufacturer	Original-part no.	Model
--------------	-------------------	-------

