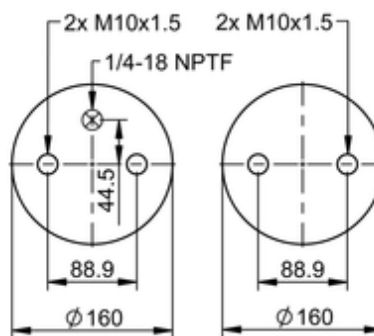
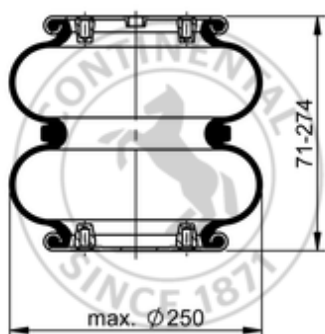





FD 200-19 934 Brazil

73790



	6.4 lb
	1/4-18 NPTF: max. 20 lbf ft
	M10: max. 20 lbf ft

Cross-reference

Goodyear	2B9-223
Goodyear Flex No.	578-92-3-211

OE Manufacturer/Reference No.

Manufacturer	Original-part no.	Model
Weweler	US 06910F	
Hendrickson	NA 1827	
Granning	15603	

Granning	1371
Arvin Meritor	21221395
Arvin Meritor	21222663