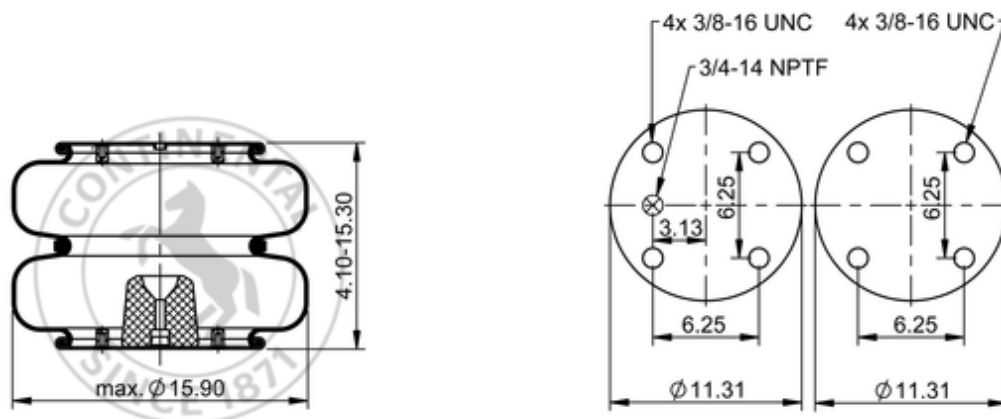





FD 530-35 720

64623



	18.9 lb
	3/4-14 NPTF: max. 22 lbf ft
	3/8-16 UNC: max. 20 lbf ft

Cross-reference

TRP	AS07204
Automann	SP2B34RC-C720

OE Manufacturer/Reference No.

Manufacturer	Original-part no.	Model
Watson & Chalin	AS-0110-G	