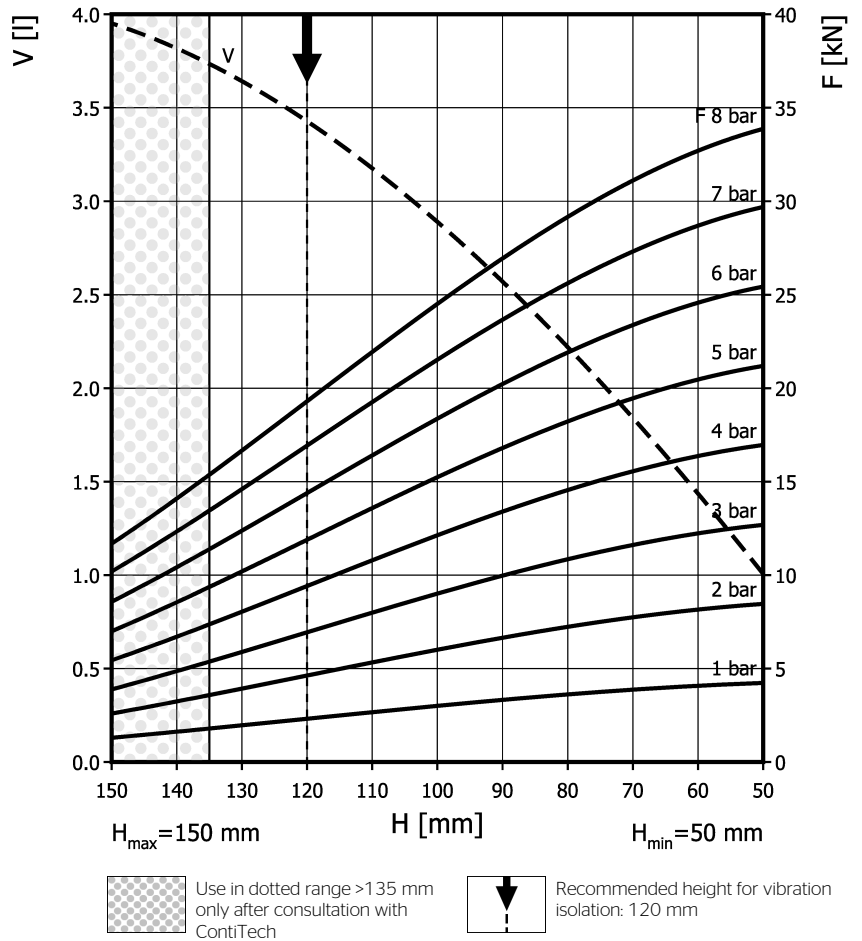
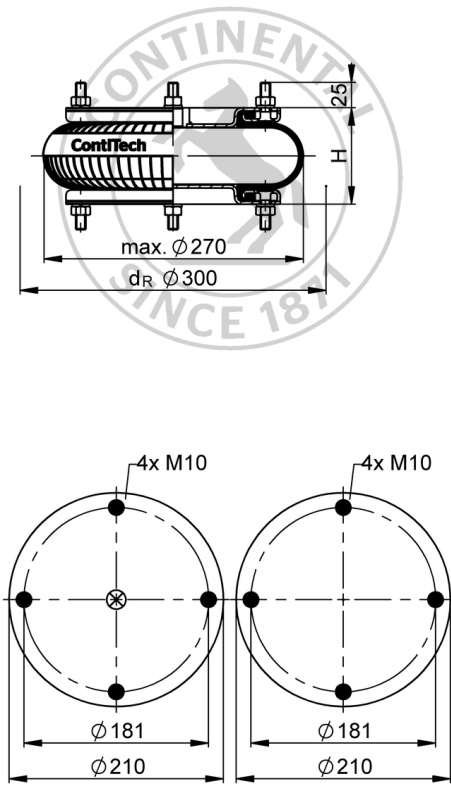


FS 210-10 DS

Single Convolution Air Actuator



Purchase order data

Type	Order No.
Rubber bellows only	66992
with dismountable plates, G1/2 air inlet	67404

Additional types on request

Technical data

Min. pressure	0 bar
Return force to min height	≤ 150 N
Overall weight	4.1 kg

Vibration isolation - dynamic characteristic values

Design height H: recommended 120mm, minimum 100mm

Pressure p [bar]	3	4	5	6	7	8	Vol. V [l]	
Force (Load) [kN]	6.9	9.4	11.9	14.4	16.9	19.3		3.4
Spring rate [N/mm]	203	257	313	369	428	481		
Natural frequency [Hz]	2.7	2.6	2.6	2.5	2.5	2.5		

Pneumatic application - static characteristic values

Force F [kN]

Pressure p [bar]	3	4	5	6	7	8	Vol. V [l]		
Height H [mm]	120	6.94	9.41	11.9	14.4	16.9		19.3	3.4
	100	8.94	12.1	15.2	18.3	21.4		24.4	2.9
	80	10.9	14.6	18.3	22	25.7		29.3	2.2
	60	12.2	16.4	20.4	24.6	28.7	32.7	1.4	



Service instructions
M10: max. 25 Nm
G1/2: max. 25 Nm

Measuring procedure: Room temperature / Force-height-data quasistatic / Dynamic data at 1 Hz