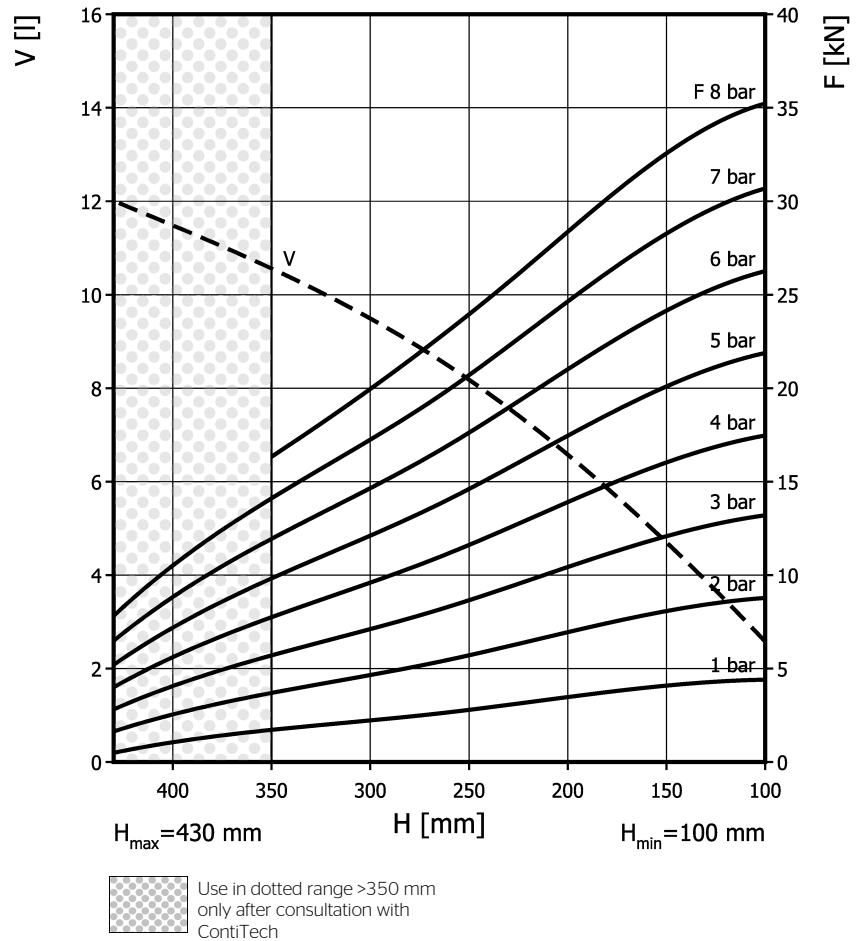
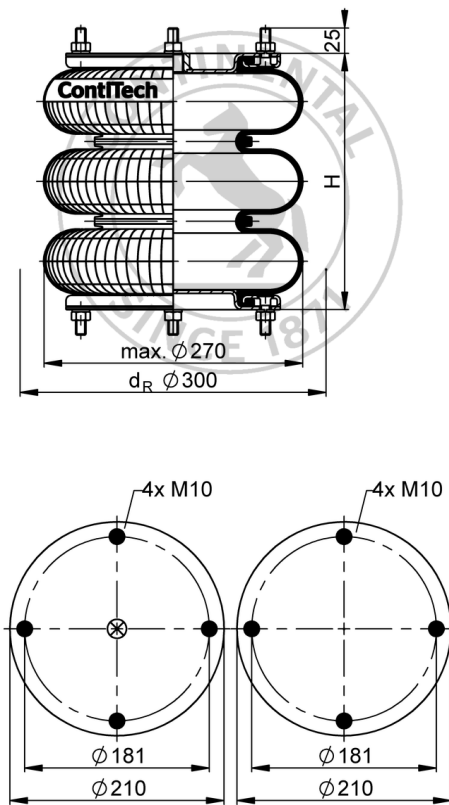


FT 210-32 DS

Triple Convolution Air Actuator



Purchase order data

Type	Order No.
Rubber bellows only	66994
with dismountable plates, G1/2 air inlet	67402

Additional types on request

Technical data

Min. pressure	0 bar
Return force to min height	≤ 250 N
Overall weight	5.2 kg

Pneumatic application - static characteristic values

Force F [kN]								
Pressure p [bar]		3	4	5	6	7	8	Vol. V [l]
Height H [mm]	350	5.62	7.66	9.75	11.8	14	16.3	11
	300	7.1	9.56	12	14.5	17.1	19.8	9.5
	250	8.62	11.6	14.6	17.6	20.7	24	8.2
	200	10.3	13.8	17.3	20.8	24.4	28.3	6.6
	150	12.1	16.1	20.1	24.2	28.3	32.6	4.7



Service instructions
 M10: max. 25 Nm
 G1/2: max. 25 Nm

Measuring procedure: Room temperature / Force-height-data quasistatic / Dynamic data at 1 Hz