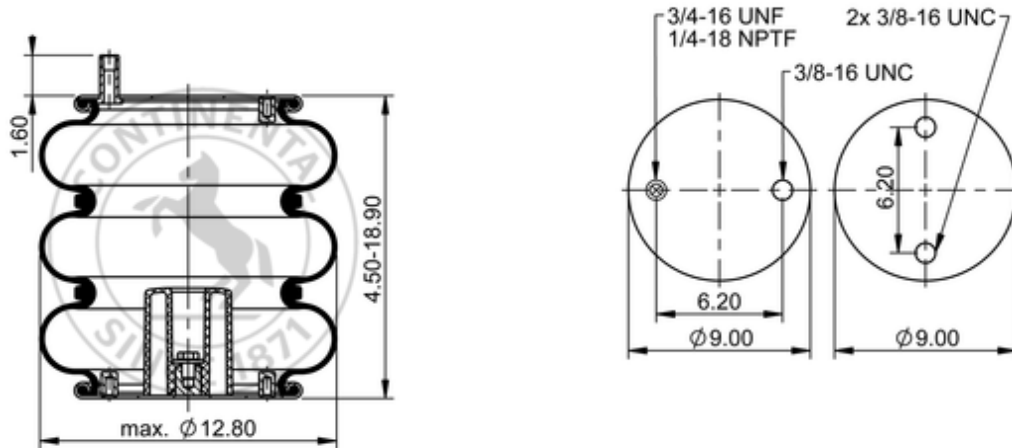






FT 330-29 703

64648



 lb	14.1 lb
	1/4-18 NPTF: max. 22 lbf ft
	3/4-16 UNF: max. 50 lbf ft
	3/8-16 UNC: max. 20 lbf ft

### Cross-reference

Firestone Style	38D
Firestone No.	W01-358-7990
FleetPride	AS7990
Goodyear	3B12-329
Goodyear	3B12-324
Goodyear Flex No.	578933100
Triangle	AS-4703

TRP	AS80321
Automann	SP3B22R-7990

**OE Manufacturer/Reference No.**

<b>Manufacturer</b>	<b>Original-part no.</b>	<b>Model</b>
Watson & Chalin	AS-0048-2G	
Watson & Chalin	AS-0048	