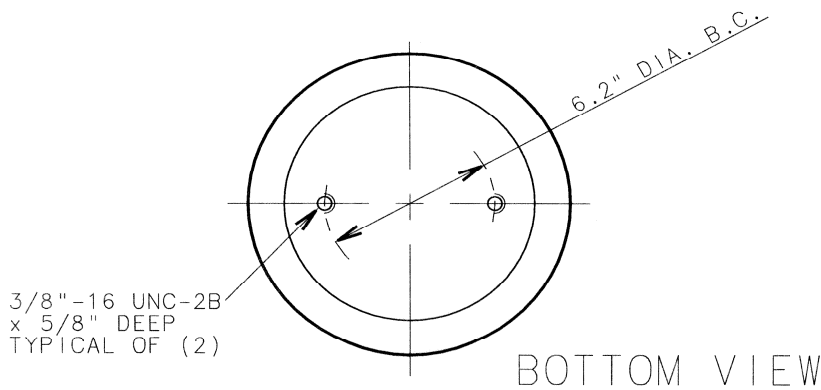
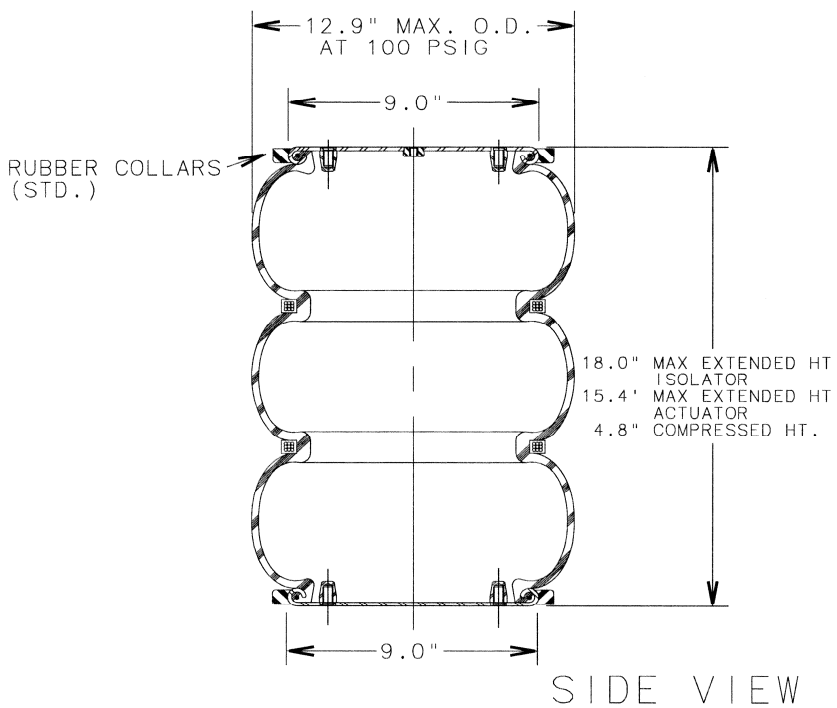
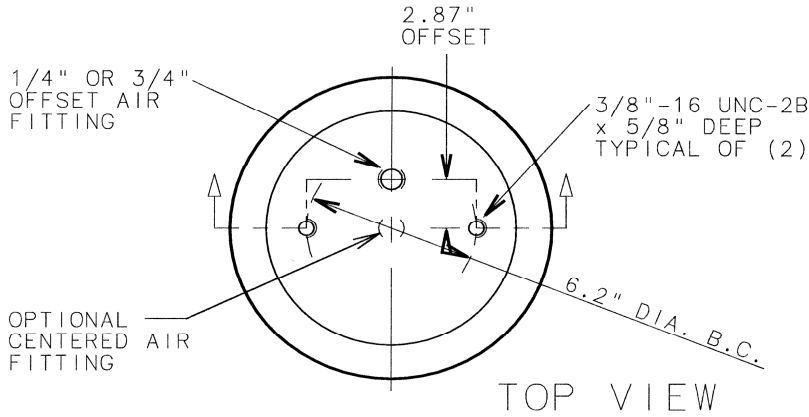




# 3B12-304



ASSEMBLY NUMBER	ELASTOMER	AIR FITTING	BUMPER INCLUDED
3B12-304	NAT. RUBBER	1/4"-18 NPTF OFFSET 2.87"	NO
3B12-305	NAT. RUBBER	3/4"-14 NPTF OFFSET 2.87"	NO
3B12-308	NAT. RUBBER	1/4"-18 NPTF CENTERED	NO
578933100 FLEXMEMBER ONLY	NAT. RUBBER	---	---

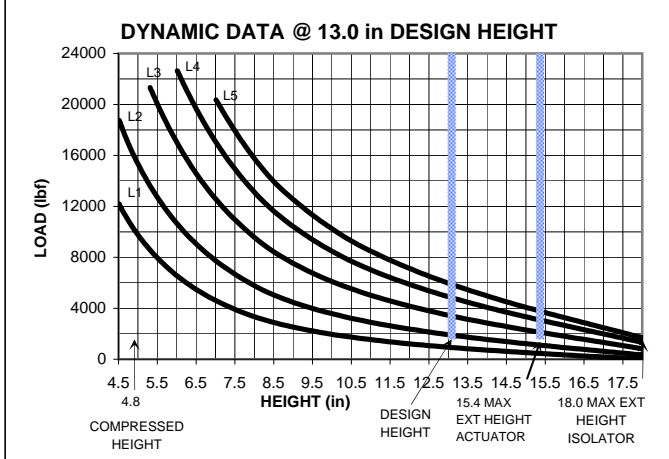
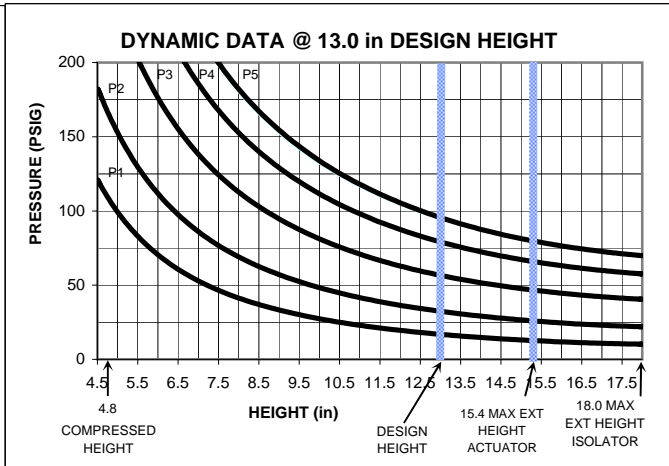
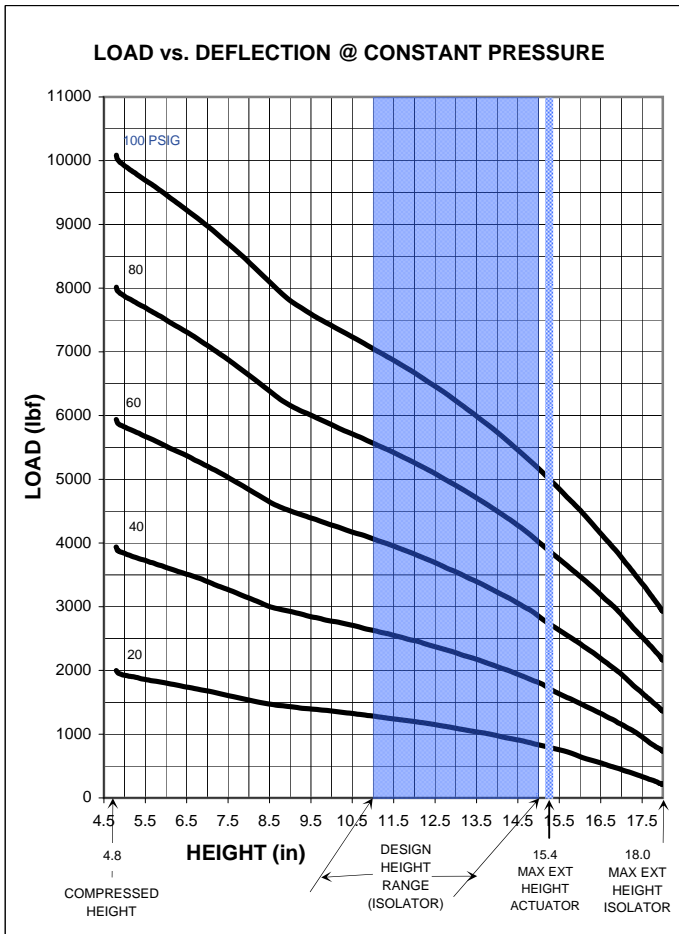
### SPRING FEATURES:

- LOAD RANGE (ISOLATOR).....850-7100 lb
- DESIGN HEIGHT RANGE (ISOLATOR)....11.0-15.0 in
- USEABLE STROKE (ACTUATOR).....10.6 in
- ASSEMBLY WEIGHT.....15.3 lb
- FORCE TO COMPRESS AT 0 PSIG (APPROX.)....70 lb
- NOMINAL FREE STANDING HT. AT 0 PSIG....7.6 in

### RECOMMENDED MAX. TORQUE VALUES

3/8"-16 UNC BLIND TAP TYP. OF (4)	1/4"-18 UNC AIR FITTING	3/4"-14 UNC AIR FITTING
300 in-lb 25 ft-lb	240 in-lb 20 ft-lb	240 in-lb 20 ft-lb

NOTE: SEE GUIDELINES FOR PROPER APPLICATION OF THIS PRODUCT



**\*\*NOTE: MAXIMUM INFLATION PRESSURE IS 100 PSIG. MAXIMUM JOUNCE PRESSURE IS 200 PSIG. IF YOUR APPLICATION WILL EXCEED THESE LIMITS, CONSULT A GOODYEAR ENGINEERED PRODUCTS AIR SPRINGS REPRESENTATIVE FOR APPLICATION ASSISTANCE.**

### CONSTANT PRESSURE CHARACTERISTICS

Assembly Height (in)	Volume @ 100 PSIG (in <sup>3</sup> )	Nominal Force (lb)				
		@ 20 PSIG	@ 40 PSIG	@ 60 PSIG	@ 80 PSIG	@ 100 PSIG
18.0	1302	200	700	1350	2100	2900
17.0	1261	460	1150	1900	2900	3800
16.0	1214	700	1500	2400	3500	4600
15.4	1183	790	1700	2700	3800	4600
15.0	1159	850	1800	2900	4000	5200
13.0	1033	1150	2300	3600	5000	6400
11.0	890	1350	2700	4100	5600	7100
9.0	732	1500	2900	4500	6200	8100
7.0	568	1700	3500	5300	7300	9200
6.0	486	1800	3700	5600	7600	9600
4.8	390	1980	3900	5800	7900	10000
4.7	383	2000	3900	5800	7900	10000

### DYNAMIC CHARACTERISTICS

Design Height (in)	Load (lb)	Pressure (PSIG)	Spring Rate (lb/in)	Natural Frequency	
				cpm	Hz
15.0	1000	22	275	99	1.65
	2000	41	455	91	1.52
	3500	69	735	87	1.45
13.0	5000	98	1010	84	1.40
	1000	18	280	100	1.67
	2000	33	435	88	1.47
	3500	58	655	81	1.35
11.0	5000	80	900	80	1.33
	6000	96	1070	79	1.32
	1000	15	275	98	1.63
	2000	29	450	89	1.48
11.0	3500	51	680	83	1.38
	5000	71	950	82	1.37
	6000	85	1110	80	1.33

The GOODYEAR (and Winged Foot Design) trademark is used by Veyance Technologies, Inc. under license from The Goodyear Tire & Rubber Company. Goodyear Engineered Products are manufactured and sourced exclusively by Veyance Technologies, Inc. or its affiliates. The following trademarks are licensed to Veyance Technologies, Inc. by The Goodyear Tire & Rubber Company, including Compass, Eagle Pd, Flexten, Gatorback and GY Metric. ©2008 Veyance Technologies, Inc. All Rights Reserved.