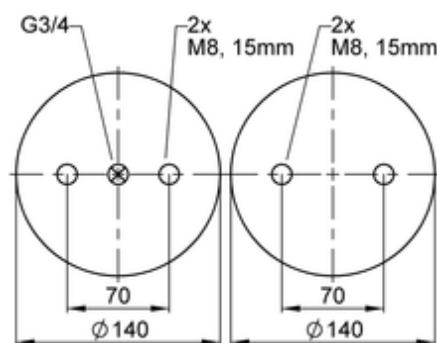
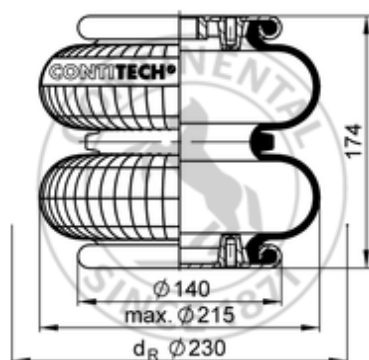









FD 120-17 3/4 M8

2682030000



-  bolt or stud
-  hole
-  combination stud
-  air inlet
-  stud and nut

	2,1 kg
	G3/4: max. 50 Nm
	M8: max. 25 Nm

OE Manufacturer/Reference No.

Manufacturer	Original-part no.	Model
Gigant	700196028	
Gigant	196028	
Granning	16036	