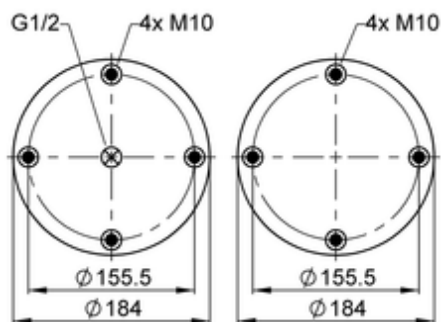
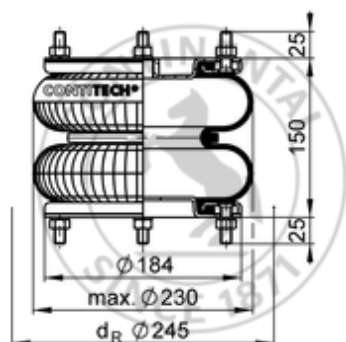





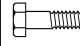




FD 138-18 1/2 M10

66505



 bolt or stud
  hole
  combination stud
  air inlet
  stud and nut

 kg	3,9 kg
	incl.
	G1/2: max. 25 Nm
	M10: max. 35 Nm

OE Manufacturer/Reference No.

Manufacturer	Original-part no.	Model
Lohr	A06030604	
Fruehauf	F 48054	
Fruehauf	M 80A04	
Granning	15803	
SAMRO	H2500188	