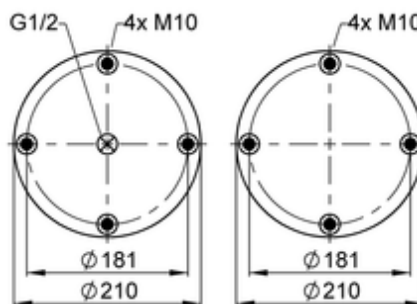
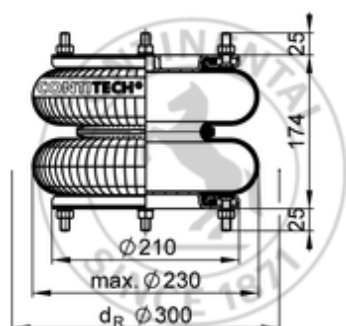





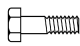




FD 210-22 1/2 M10

67403



-  bolt or stud
-  hole
-  combination stud
-  air inlet
-  stud and nut

 kg	4,9 kg
	incl.
	G1/2: max. 25 Nm
	M10: max. 35 Nm

OE Manufacturer/Reference No.

Manufacturer	Original-part no.	Model
Granning	15807	
SAMRO	H2500021	