



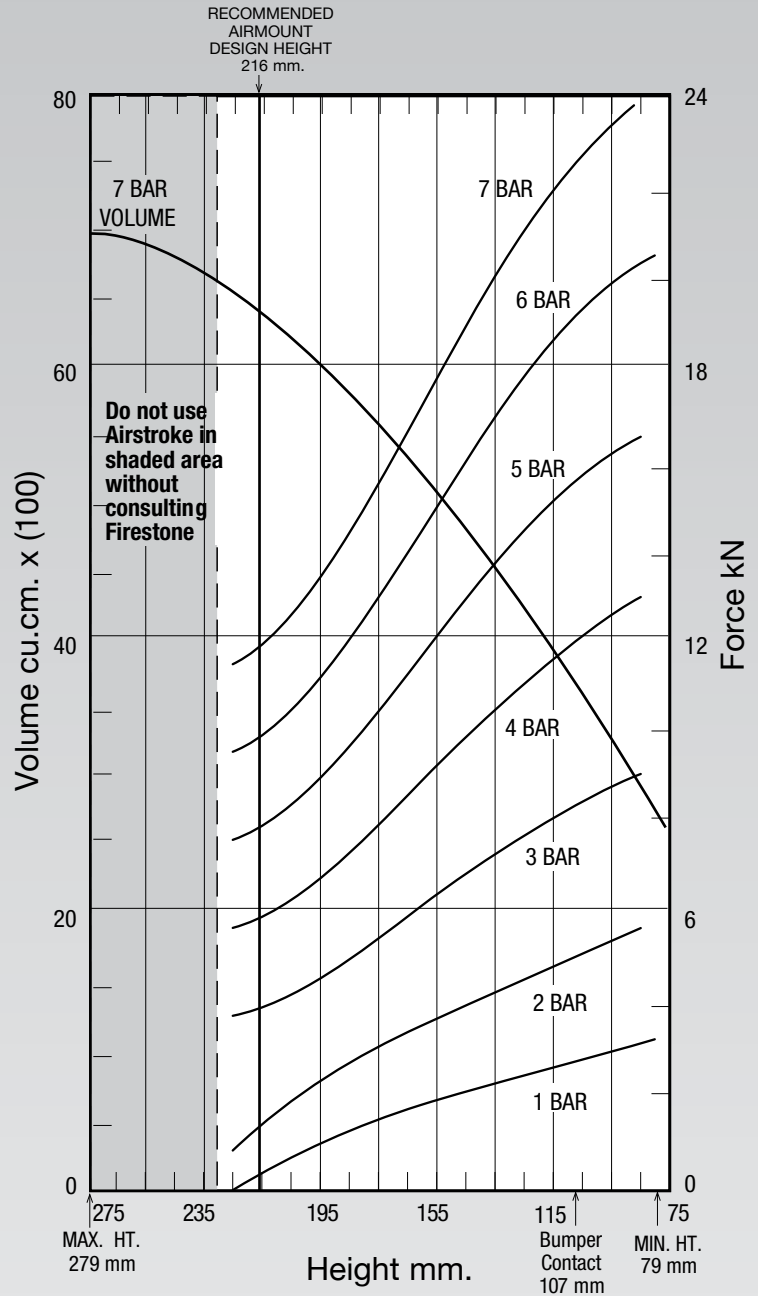
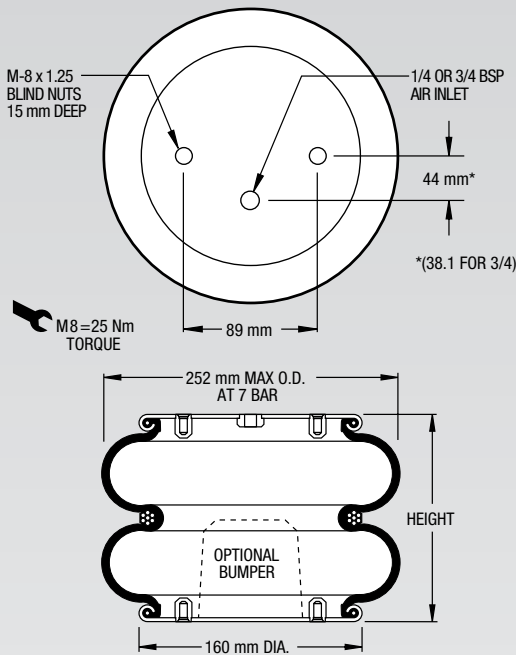
Firestone

274

NOTE: All Assembly Order Numbers are for bead plate parts unless noted otherwise.

| | Description | Assembly Order No. |
|---|--|--------------------|
| Style 274 | Blind nuts, 1/4 BSP | W01-M58-6187 |
| | Blind nuts, 1/4 BSP, bumper | W01-M58-6188 |
| Two Ply Bellows | Blind nuts, 3/4 BSP | W01-M58-6185 |
| | Blind nuts, 3/4 BSP, bumper | W01-M58-6186 |
| | Countersunk steel bead rings, 40 mm bolts, nuts, washers | W01-M58-6990 |
| | Rubber bellows only | W01-358-0297 |
| Assembly weight..... | | 3.40 kg. |
| Force to collapse to minimum height (@ 0 BAR) | | 62 N. |

| | | |
|----------------------------|---------------------|--------------|
| Style 202 | Blind nuts, 1/4 BSP | W01-M58-6192 |
| High Strength Construction | Blind nuts, 3/4 BSP | W01-M58-6190 |



See page 12 for instructions on how to use chart.

NOTE: A bead plate part is shown. This part is also available with bead rings. See pages 8-10 for explanation.

| Gauge Pressure (BAR) | Load (kN) | Spring Rate (kN/m) | Natural Frequency Hz |
|----------------------|-----------|--------------------|----------------------|
| 3 | 5.6 | 77.93 | 2.01 |
| 4 | 7.5 | 98.23 | 1.96 |
| 5 | 9.3 | 122.17 | 1.89 |
| 6 | 11.2 | 146.53 | 1.87 |
| 7 | 13.1 | 168.24 | 1.85 |

| Assembly Height (mm) | Volume @ 7 BAR (cu cm) | EFF Area @ 7 BAR (cm sq) | kN Force | | | | |
|----------------------|------------------------|--------------------------|----------|---------|---------|---------|---------|
| | | | @ 3 BAR | @ 4 BAR | @ 5 BAR | @ 6 BAR | @ 7 BAR |
| 225 | 6424 | 174 | 5.2 | 6.9 | 8.7 | 10.4 | 12.2 |
| 200 | 5981 | 186 | 5.5 | 7.4 | 9.2 | 11.1 | 13.0 |
| 175 | 5424 | 228 | 6.8 | 9.1 | 11.4 | 13.6 | 15.9 |
| 150 | 4769 | 260 | 7.8 | 10.4 | 13.0 | 15.6 | 18.2 |
| 125 | 4048 | 291 | 8.7 | 11.6 | 14.5 | 17.4 | 20.3 |
| 100 | 3228 | 320 | 9.6 | 12.8 | 16.0 | 19.2 | 22.4 |