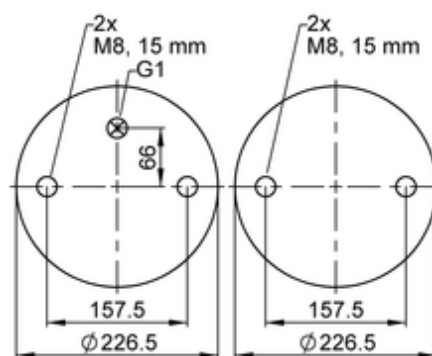
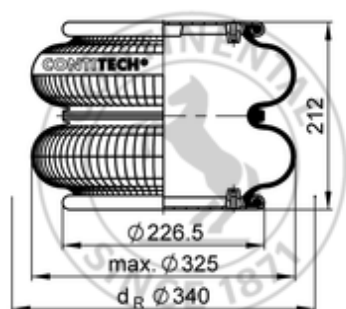








FD 330-22 1/1 M8

2682060000



-  bolt or stud
-  hole
-  combination stud
-  air inlet
-  stud and nut

| | |
|--|------------------|
|  kg | 4,8 kg |
|  | G1/1: max. 50 Nm |
|  | M8: max. 25 Nm |

OE Manufacturer/Reference No.

| Manufacturer | Original-part no. | Model |
|--------------|-------------------|-------|
|--------------|-------------------|-------|