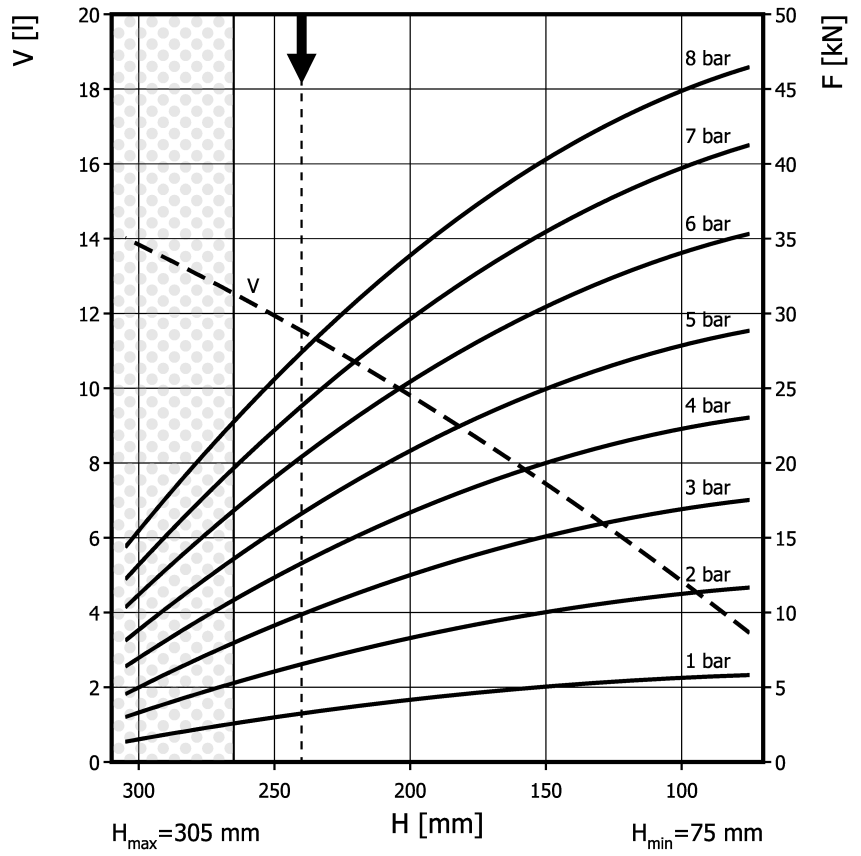
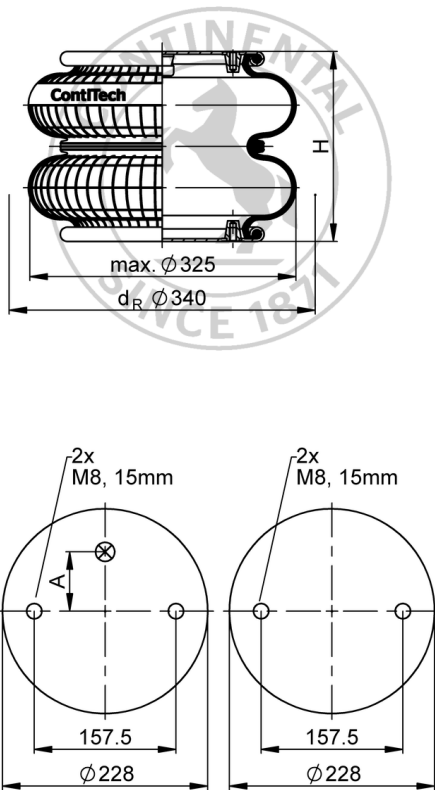


FD 330-22 CI

Double Convolution Air Actuator



Use in dotted range >265 mm only after consultation with ContiTech

Recommended height for vibration isolation: 240 mm

Purchase order data

Type	Order No.
rubber bellows only	74199
with crimped plates, G1/4 air inlet A = 73 mm excentrical	60031
with crimped plates, G3/4 air inlet A = 73 mm excentrical	68674
with crimped plates, G1 air inlet A = 66 mm excentrical	2682060000
with stainless steel crimped plates, G1 air inlet A = 66 mm excentrical	61959

Additional types on request



Service instructions
 M8: max. 25 Nm
 G1/4: max. 25 Nm
 G1: max. 50 Nm
 G3/4: max. 50 Nm

Technical data

Min. pressure	0 bar
Return force to min height	≤ 300 N
Overall weight	4.8 kg

Vibration isolation - dynamic characteristic values

Design height H: recommended 240mm, minimum 220mm

Pressure p [bar]	3	4	5	6	7	8	Vol. V [l]
Force (Load) [kN]	10	13.3	16.7	20.6	24.1	27.6	
Spring rate [N/mm]	159	190	221	252	283	314	
Natural frequency [Hz]	2.0	1.9	1.8	1.8	1.7	1.7	

Pneumatic application - static characteristic values

Force F [kN]

Pressure p [bar]	3	4	5	6	7	8	Vol. V [l]
Height H [mm]	265	7.97	10.8	13.5	16.9	19.7	
	220	11.3	15.2	18.9	23.1	26.9	11
	180	13.6	18.2	22.7	27.5	32	8.8
	140	15.4	20.5	25.5	31.1	36.3	6.8
	100	16.8	22.1	27.8	34.1	39.8	4.8

Measuring procedure: Room temperature / Force-height-data quasistatic / Dynamic data at 1 Hz