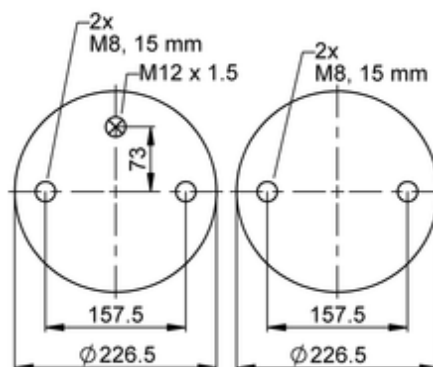
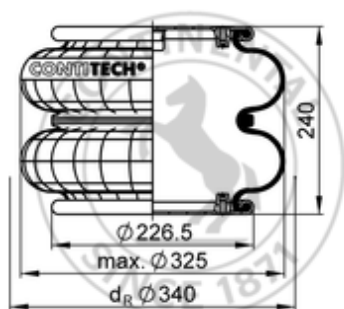





**FD 330-22 M12x1.5 M8**

**2682066000**



bolt or stud   
  hole   
 X combination stud   
 X air inlet   
 ● stud and nut

 kg	4,8 kg
	M12x1.5: max. 40 Nm
	M8: max. 25 Nm

**OE Manufacturer/Reference No.**

Manufacturer	Original-part no.	Model
BPW	02.200.21.90.0	