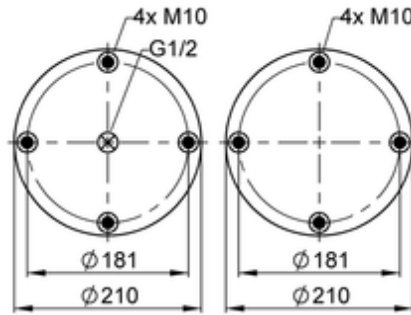
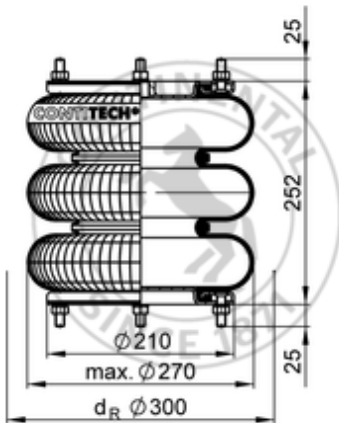


FT 210-32 1/2 M10
67402


- bolt or stud
- hole
- combination stud
- air inlet
- stud and nut

	6 kg
	incl.
	G1/2: max. 25 Nm
	M10: max. 35 Nm

OE Manufacturer/Part No.

Manufacturer	Original Part No.	Model
Weweler	510016D	
SAMRO	H2500010	