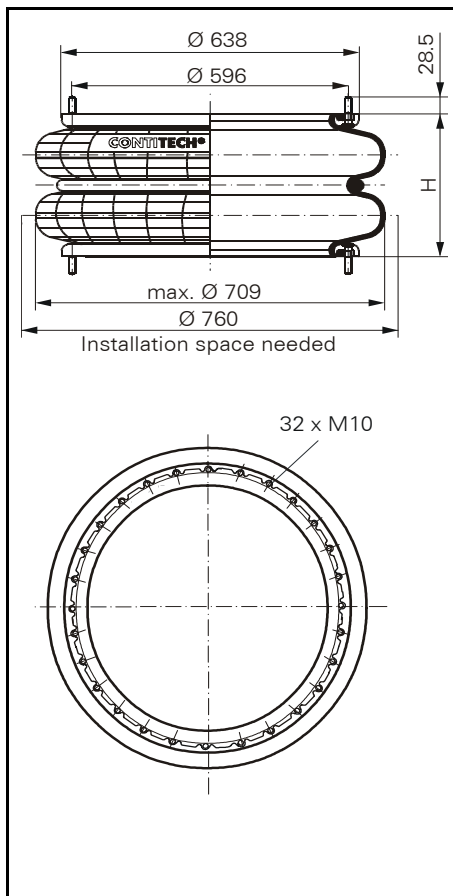
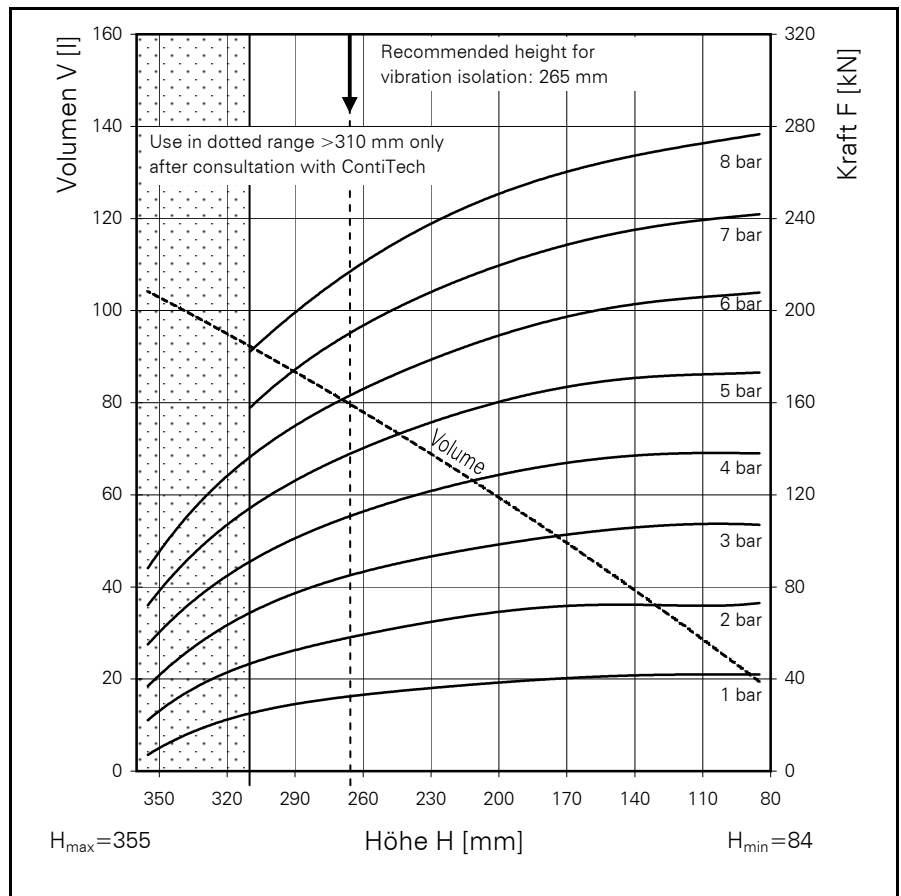


FD 2870-30

CONTI® Double Convolution Air Spring



FD 2870-30



Force-height diagram

Purchase order data

Type	Order No.
Rubber bellows only	61789
Bellows with bead rings 45mm bolts, nuts and washers	61907

Additional types on request

Technical data

Min. pressure	0 bar
Return force to min. height	≤ 700 N
Overall weight with clamped plates	15.4 kg

Vibration isolation - dynamic characteristic values

Design height H: recommended 265mm, minimum 245mm

Pressure p [bar]	3	4	5	6	7	8	Vol V [l]
Force (Load) [kN]	85.2	113.3	138.7	166.0	190.4	217.6	
Spring rate [N/cm]	7730	9850	11780	13900	15530	17700	
Natural frequency [Hz]	1.5	1.5	1.5	1.5	1.4	1.4	

Pneumatic application - static characteristic values

Force F [kN]

Pressure p [bar]	3	4	5	6	7	8	Vol.[l]	
Height H [mm]	280	80.9	105.0	131.4	155.5	181.8	206.4	84.2
	240	90.9	118.3	147.0	174.5	203.3	232.0	71.9
	200	98.4	128.7	161.0	189.2	220.1	250.9	59.7
	160	104.1	135.3	168.1	199.3	230.6	262.8	46.3
	120	106.9	137.9	172.1	205.2	238.3	271.0	31.8



Service instructions  
M 10 = 40 Nm