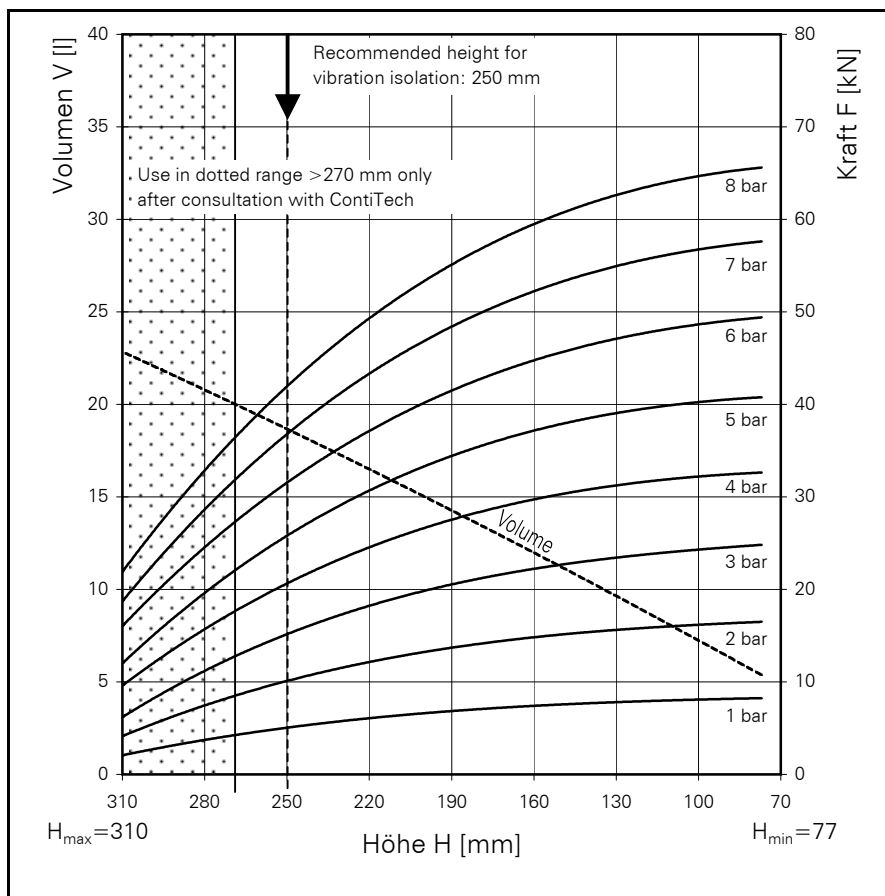
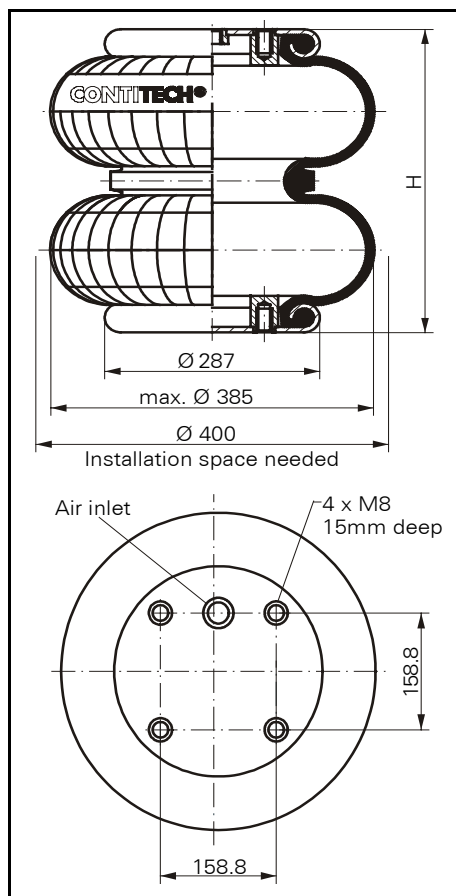


FD 530-22

CONTI® Double Convolution Air Spring



FD 530-22

Force-height diagram

Purchase order data

Type	Order No.
Rubber bellows only	60406
With clamped plates G 1 air inlet 79.4 mm excentrical	2682 075 000
With clamped plates G 1/4 air inlet 79.4 mm excentrical	61362

Additional types on request

Technical data

Min. pressure	0 bar
Return force to min. height	≤ 400 N
Overall weight with clamped plates	6.9 kg

Vibration isolation - dynamic characteristic values

Design height H: recommended 250mm, minimum 225mm

Pressure p [bar]	3	4	5	6	7	8	Vol V [l]
Force (Load) [kN]	15.2	20.7	25.8	31.5	36.8	42.0	18.7
Spring rate [N/cm]	2225	2860	3495	4130	4765	5400	
Natural frequency [Hz]	1.9	1.8	1.8	1.8	1.8	1.7	

Pneumatic application - static characteristic values

Force F [kN]

Pressure p [bar]	3	4	5	6	7	8	Vol.[l]	
Height H [mm]	240	16.3	22.1	27.6	33.5	39.1	44.6	17.8
	220	18.2	24.4	30.5	37.0	43.2	49.1	16.5
	200	19.6	26.4	33.1	39.8	46.5	52.9	15.0
	180	21.0	28.2	35.3	42.6	49.7	56.8	13.6
	160	22.3	29.8	37.2	44.9	52.4	59.5	12.0
	140	23.1	31.0	38.7	46.5	54.3	61.9	10.5
	120	23.9	31.7	39.6	47.7	55.7	63.5	8.8
	100	24.4	32.3	40.4	48.7	56.8	64.7	7.2



Service instructions  
 M8 = 25 Nm  
 G 1/4 = 25 Nm  
 G 1 = 50 Nm