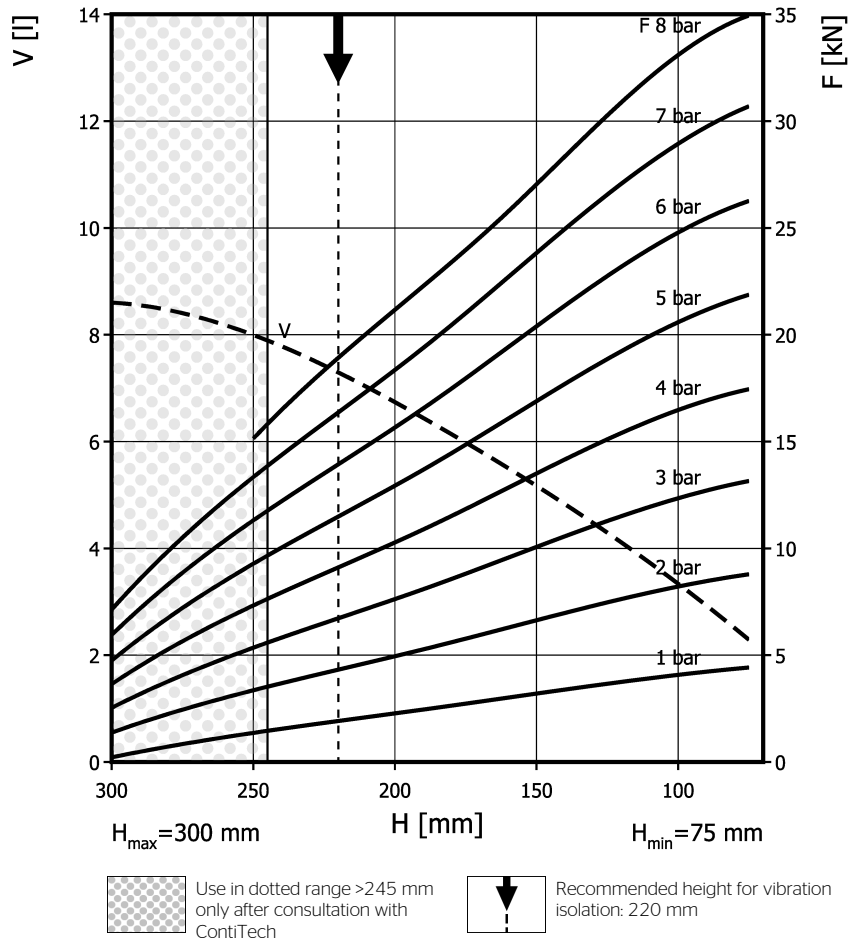
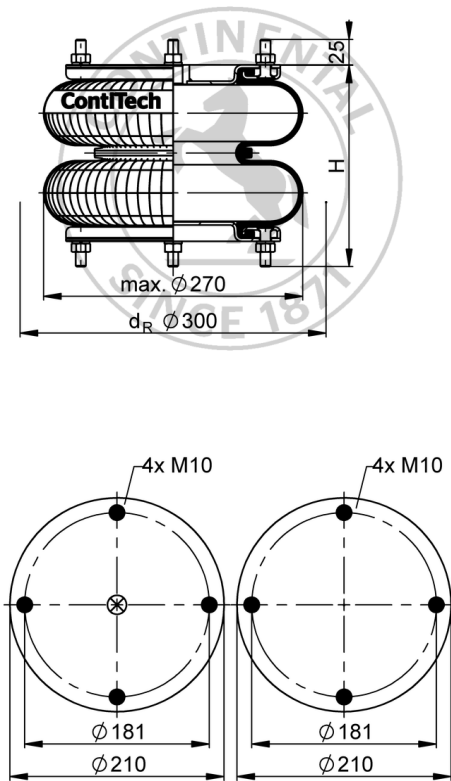


FD 210-22 DS

Double Convolution Air Actuator



Purchase order data

Type	Order No.
rubber bellows only	66993
with dismountable plates, G1/2 air inlet	67403

Additional types on request

Technical data

Min. pressure	0 bar
Return force to min height	$\leq 220 \text{ N}$
Overall weight	4.7 kg

Vibration isolation - dynamic characteristic values

Design height H: recommended 220mm, minimum 200mm

Pressure p [bar]	3	4	5	6	7	8	Vol. V [l]
Force (Load) [kN]	6.7	9.2	11.5	13.9	16.3	18.7	
Spring rate [N/mm]	100	123.5	148	171	194.5	218.5	
Natural frequency [Hz]	1.9	1.8	1.8	1.8	1.7	1.7	

Pneumatic application - static characteristic values

Force F [kN]

Pressure p [bar]	3	4	5	6	7	8	Vol. V [l]	
Height H [mm]	250	5.28	7.22	9.16	11.2	13.2		15.1
	200	7.66	10.3	13	15.7	18.4		21.1
	150	9.98	13.4	16.7	20.2	23.6		27
	100	12.4	16.5	20.6	24.8	28.9	33	


 Service instructions
 M10: max. 25 Nm
 G1/2: max. 25 Nm

Measuring procedure: Room temperature / Force-height-data quasistatic / Dynamic data at 1 Hz