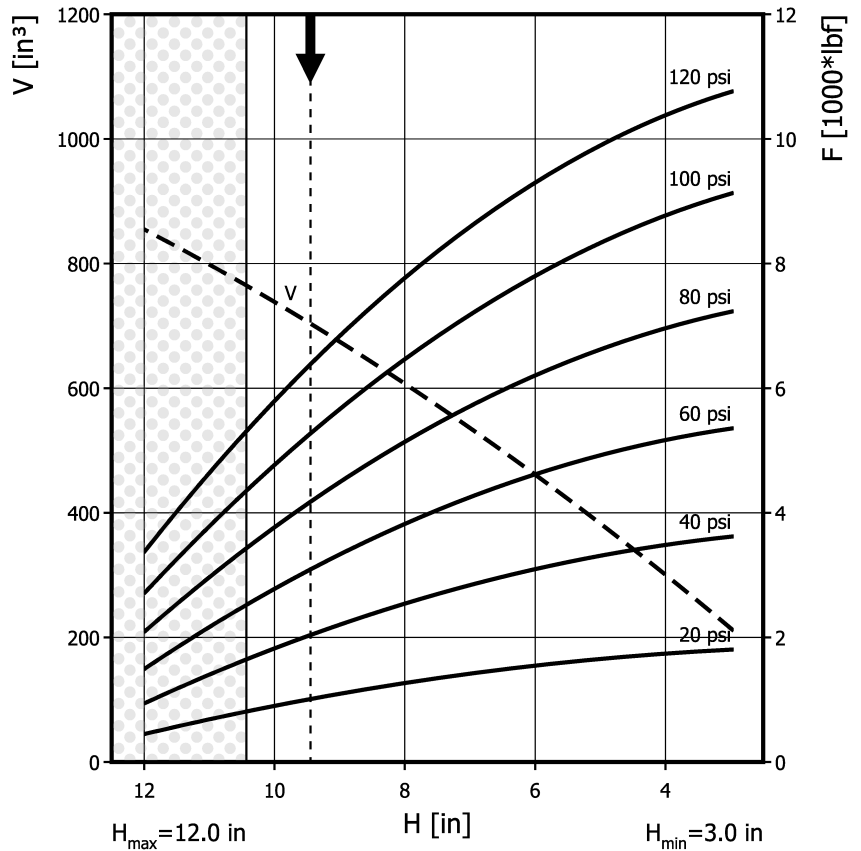
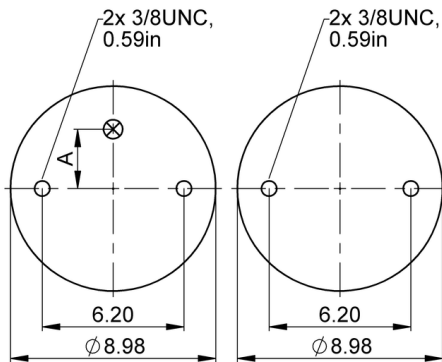
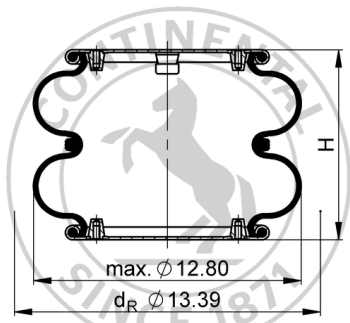


## FD 330-22 CI

## Double Convolution Air Actuator



Use in dotted range >10.40 in. only after consultation with ContiTech

Recommended height for vibration isolation: 9.45 in.

## Purchase order data

Type	Order No.
rubber bellows only	65196
with crimped plates, 1/4 NPT air inlet A = 2.87 in. excentrical	74186
with crimped plates, 3/4 NPT air inlet A = 2.87 in. excentrical	63561

Additional types on request

## Technical data

Min. pressure	0 psi
Return force to min height	≤ 67 lbf
Overall weight	10.6 lb

**Vibration isolation - dynamic characteristic values**

Design height H: recommended 9.45 inch, minimum 8.66 inch

Pressure p [psi]	40	60	80	100	120	Vol. V [in.³]
Force (Load) [lbf]	2070	3090	4210	5340	6420	
Spring rate [lbf/in.]	865	1110	1350	1600	1840	
Natural frequency [Hz]	2.0	1.9	1.8	1.7	1.7	

**Pneumatic application - static characteristic values**

Force F [lbf]

Pressure p [psi]	40	60	80	100	120	Vol. V [in.³]	
Height H [in.]	10.5	1620	2460	3360	4280		770
	9.0	2220	3340	4510	5700		680
	7.5	2690	4040	5420	6800		570
	6.0	3070	4610	6190	7770		450
	4.5	3390	5030	6780	8560		340



Service instructions  
 3/8-16 UNC: max. 20 lbf ft  
 1/4 NPT: max. 20 lbf ft  
 3/4 NPT: max. 40 lbf ft

Measuring procedure: Room temperature / Force-height-data quasistatic / Dynamic data at 1 Hz