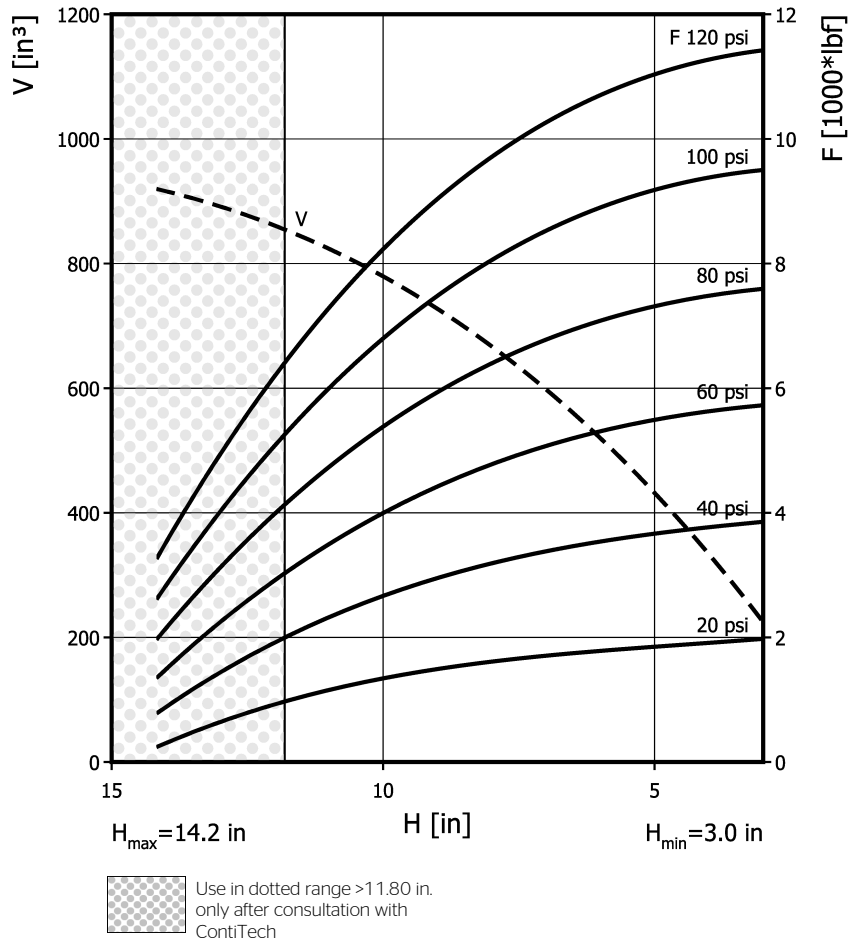
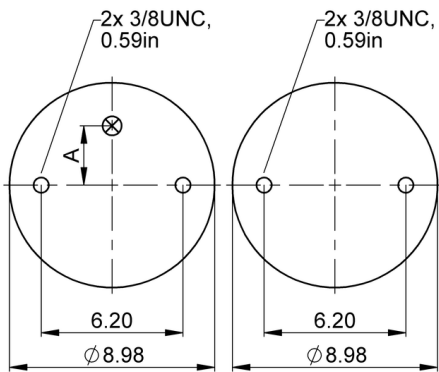
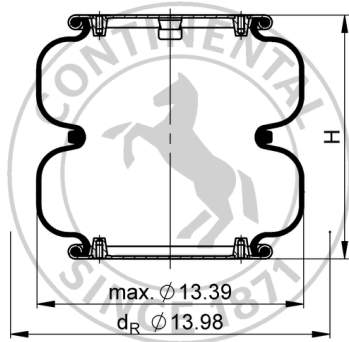


FD 330-30 CI

Double Convolution Air Actuator



Purchase order data

| Type | Order No. |
|---|-----------|
| rubber bellows only | 70408 |
| with crimped plates, 1/4 NPT air inlet A = 2.88 in. excentrical | 74263 |
| with crimped plates, 3/4 NPT air inlet A = 2.87 in. excentrical | 74095 |

Additional types on request

Technical data

| | |
|----------------------------|----------|
| Min. pressure | 0 psi |
| Return force to min height | ≤ 67 lbf |
| Overall weight | 11.2 lb |

Pneumatic application - static characteristic values

| Force F [lbf] | Pressure p [psi] | 40 | 60 | 80 | 100 | 120 | Vol. V [in.³] |
|----------------|------------------|------|------|------|------|-------|---------------|
| Height H [in.] | 12.0 | 1930 | 2930 | 4010 | 5110 | 6220 | 860 |
| | 10.5 | 2490 | 3750 | 5050 | 6400 | 7770 | 800 |
| | 9.0 | 2930 | 4400 | 5910 | 7440 | 8980 | 730 |
| | 7.5 | 3260 | 4890 | 6540 | 8240 | 9940 | 630 |
| | 6.0 | 3550 | 5310 | 7100 | 8930 | 10700 | 520 |
| | 4.5 | 3740 | 5590 | 7420 | 9300 | 11200 | 390 |



Service instructions
 3/8-16 UNC: max. 20 lbf ft
 1/4 NPT: max. 20 lbf ft
 3/4 NPT: max. 40 lbf ft

Measuring procedure: Room temperature / Force-height-data quasistatic / Dynamic data at 1 Hz