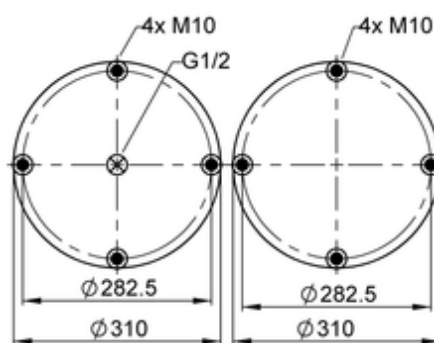
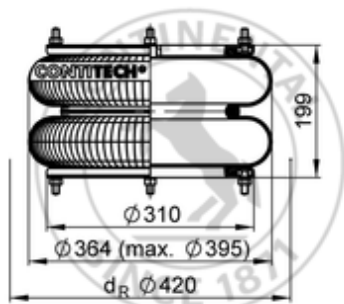


FD 614-26 1/2 M10

68046



bolt or stud
 hole

⊗


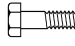


 combination stud

⊗

 air inlet

●

 stud and nut

 kg	9,3 kg
	incl.
	G1/2: max. 25 Nm
	M10: max. 35 Nm

OE Manufacturer/Reference No.

Manufacturer	Original-part no.	Model
Weweler	USN 510010DX	