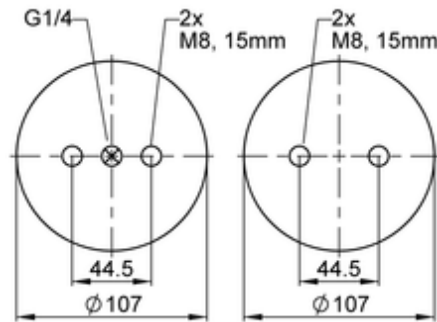
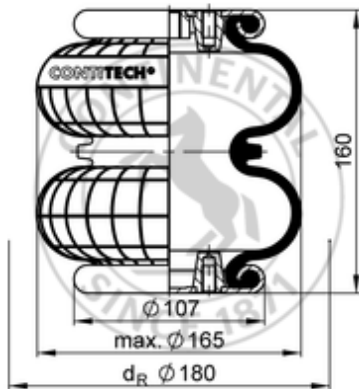










FD 70-13 1/4 M8

2682015000



-  bolt or stud
-  hole
-  combination stud
-  air inlet
-  stud and nut

 kg	1,4 kg
	G1/4: max. 25 Nm
	M8: max. 25 Nm

OE Manufacturer/Part No.

Manufacturer	Original Part No.	Model
Gigant	196027	
Gigant	700196027	