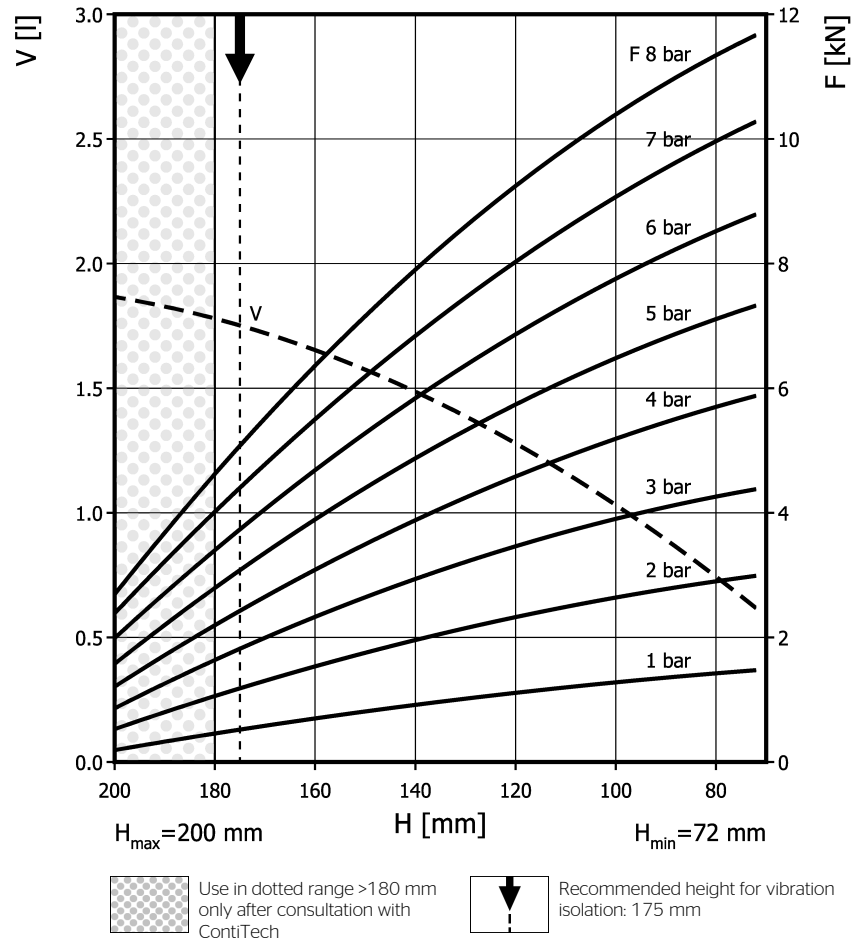
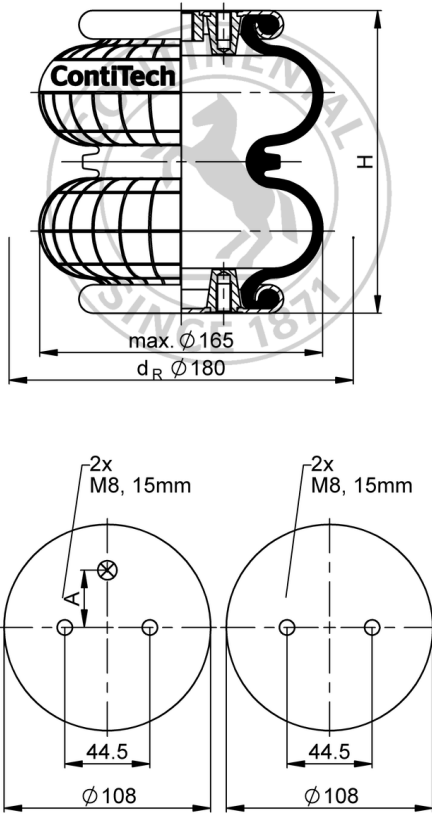


FD 70-13 CI

Double Convolution Air Actuator



Purchase order data

Type	Order No.
rubber bellows only	60513
with crimped plates, G1/4 air inlet A = 0 mm excentrical	2682015000
with stainless steel crimped plates, G1/4 air inlet A = 0 mm excentrical	61756

Additional types on request

Technical data

Min. pressure	0 bar
Return force to min height	≤ 200 N
Overall weight	1.5 kg

Vibration isolation - dynamic characteristic values

Design height H: recommended 175mm, minimum 160mm

Pressure p [bar]	3	4	5	6	7	8	Vol. V [l]
Force (Load) [kN]	1.9	2.5	3.2	3.8	4.5	5.2	1.8
Spring rate [N/mm]	46	59.5	73	86	99.5	112.5	
Natural frequency [Hz]	2.5	2.5	2.4	2.4	2.4	2.4	

Pneumatic application - static characteristic values

Force F [kN]

Pressure p [bar]	3	4	5	6	7	8	Vol. V [l]
Height H [mm]	180	160	140	120	100	80	1.8
	1.6	2.4	2.9	3.4	3.9	4.3	1.6
	3.15	3.88	4.5	5.23	5.7	6.5	1.5
	4.7	5.6	6.8	7.8	8.5	10	1.3
	6.4	7.8	9.2	10.4	11.4		1.1
	7.1	8.5	10	11.4			0.7


 Service instructions
 M8: max. 25 Nm
 G1/4: max. 25 Nm

Measuring procedure: Room temperature / Force-height-data quasistatic / Dynamic data at 1 Hz