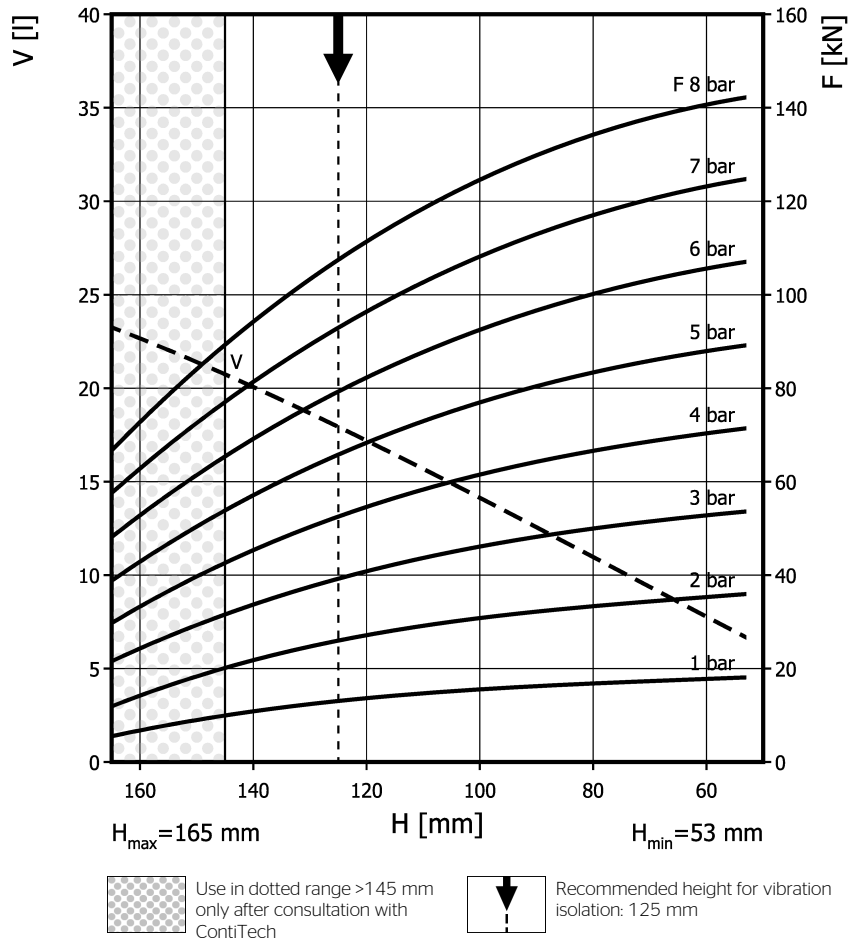
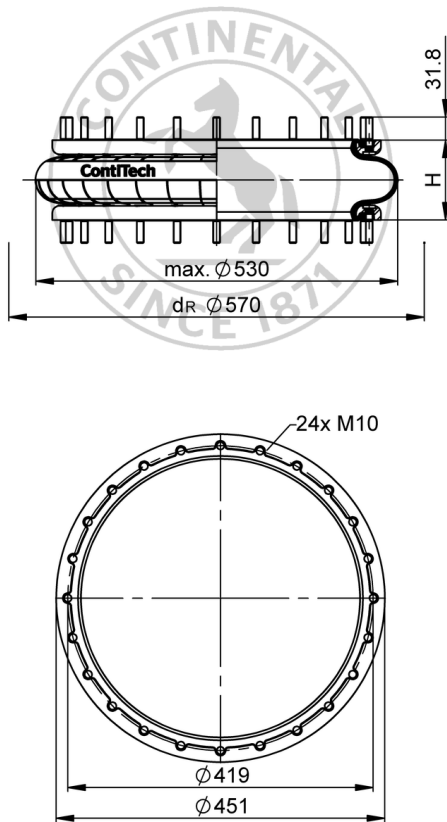


FS 1330-11 RS

Single Convolution Air Actuator


Purchase order data

Type	Order No.
rubber bellows only	61778
with bead rings, 48mm bolts, nuts and washers	61899

Additional types on request

Technical data

Min. pressure	0 bar
Return force to min height	≤ 90 N
Overall weight	7.3 kg

Vibration isolation - dynamic characteristic values

Design height H: recommended 125mm, minimum 105mm

Pressure p [bar]	3	4	5	6	7	8	Vol. V [l]	
Force (Load) [kN]	38.9	52.1	65.3	79	92.5	107.6		18
Spring rate [N/mm]	813	1053	1274	1524	1766	1985		
Natural frequency [Hz]	2.3	2.2	2.2	2.2	2.2	2.2		

Pneumatic application - static characteristic values

Force F [kN]

Pressure p [bar]	3	4	5	6	7	8	Vol. V [l]	
Height H [mm]	140	34	45.8	57.5	69.5	81.8		20
	120	40.3	54	67.6	81.4	95.5		17
	100	46	61.2	76.8	92.5	108		14
	80	50.3	67.1	83.9	101	118	11	


 Service instructions
 M10: max. 40 Nm

Measuring procedure: Room temperature / Force-height-data quasistatic / Dynamic data at 1 Hz