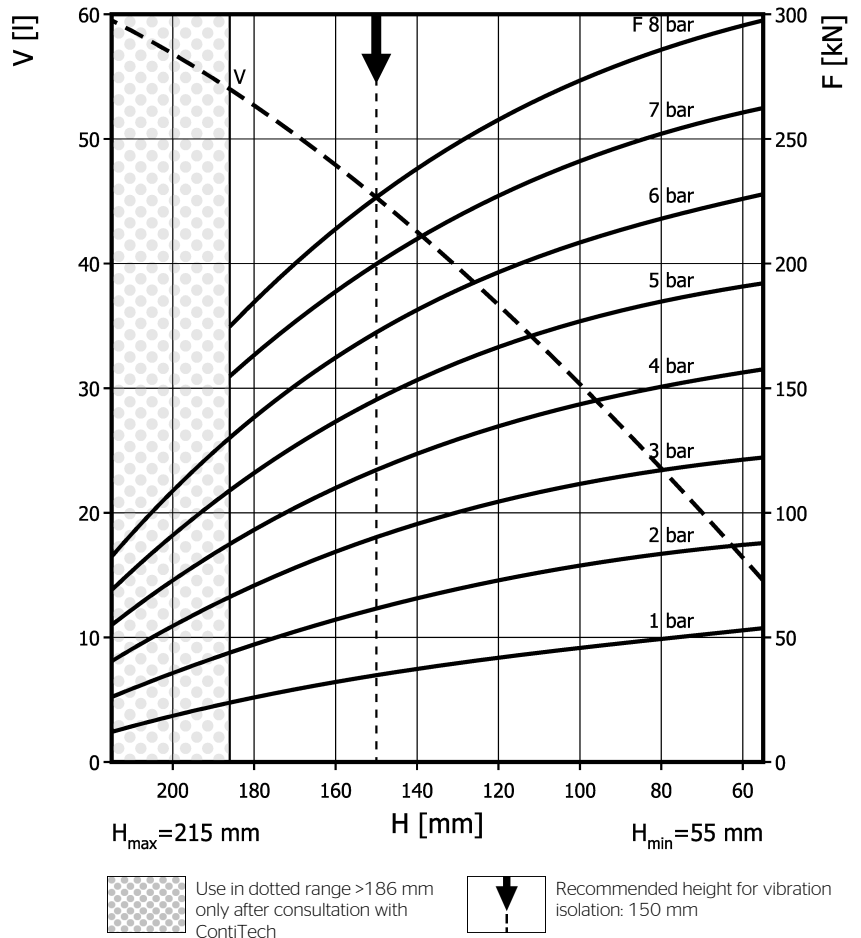
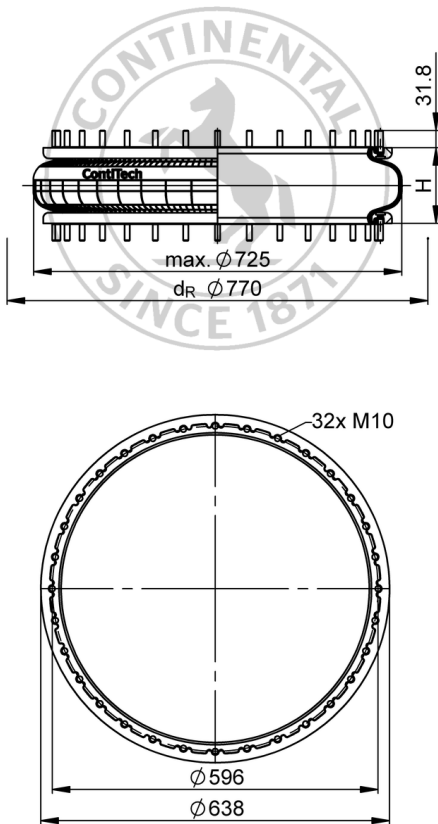


## FS 2870-16 RS

## Single Convolution Air Actuator



## Purchase order data

Type	Order No.
rubber bellows only	61788
with bead rings, 48mm bolts, nuts and washers	61901

Additional types on request

## Technical data

Min. pressure	0 bar
Return force to min height	≤ 670 N
Overall weight	11.1 kg

**Vibration isolation - dynamic characteristic values**

Design height H: recommended 150mm, minimum 130mm

Pressure p [bar]	3	4	5	6	7	8	Vol. V [l]
Force (Load) [kN]	88.7	116.9	145.2	173.2	202.1	224.9	
Spring rate [N/mm]	1406	1762	2137	2483	2845	3140	
Natural frequency [Hz]	2.0	2.0	1.9	1.9	1.9	1.8	

**Pneumatic application - static characteristic values**

Force F [kN]

Pressure p [bar]	3	4	5	6	7	8	Vol. V [l]	
Height H [mm]	180	70.7	93.8	117	140	164		186
	160	82.9	108	136	161	188	213	48
	140	94	123	152	181	209	238	42
	120	105	135	166	196	229	259	37
	100	112	144	178	209	241	273	30
	80	118	151	185	218	251	286	24
	60	121	157	191	226	261	295	17


 Service instructions  
 M10: max. 40 Nm

**Measuring procedure:** Room temperature / Force-height-data quasistatic / Dynamic data at 1 Hz