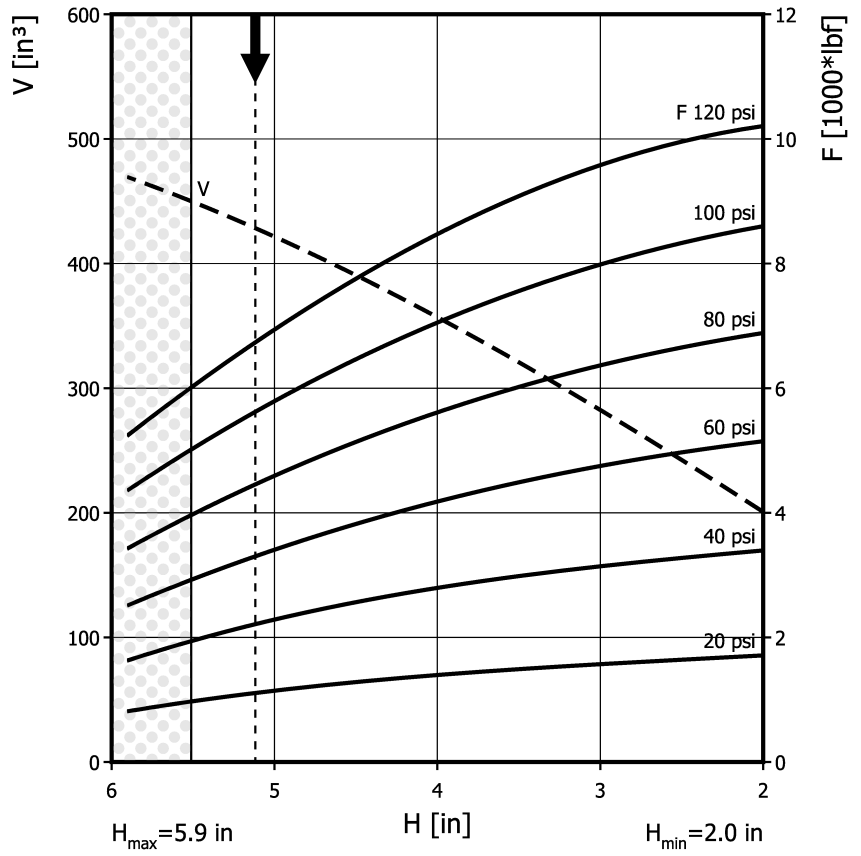
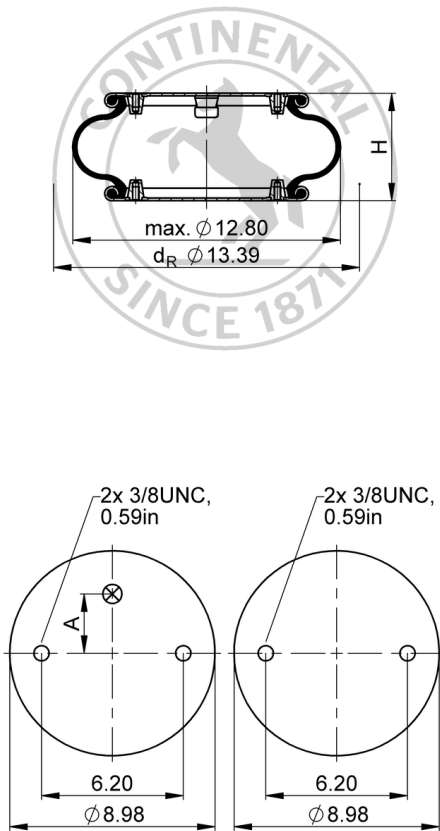


FS 330-11 CI

Single Convolution Air Actuator



Use in dotted range >5.51 in. only after consultation with ContiTech
 Recommended height for vibration isolation: 5.12 in.

Purchase order data

Type	Order No.
with crimped plates, 3/4 NPT air inlet A = 2.87 in. excentrical	74097

Additional types on request

Technical data

Min. pressure	0	psi
Return force to min height	≤ 67	lbf
Overall weight	9	lb

Vibration isolation - dynamic characteristic values

Design height H: recommended 5.12 inch, minimum 3.94 inch

Pressure p	[psi]	40	60	80	100	120	Vol. V [in.³]
Force (Load)	[lbf]	2210	3300	4470	5620	6740	424
Spring rate	[lbf/in.]	1420	1930	2440	2940	3450	
Natural frequency	[Hz]	2.5	2.4	2.4	2.3	2.3	

Pneumatic application - static characteristic values

Force F [lbf]

Pressure p	[psi]	40	60	80	100	120	Vol. V [in.³]
Height H [in.]	5.5	1960	2960	4000	5060	6070	450
	5.0	2290	3410	4590	5780	6940	420
	4.5	2560	3810	5120	6450	7740	390
	4.0	2780	4170	5600	7050	8450	360
	3.5	2990	4490	6020	7570	9080	320
	3.0	3140	4750	6360	7980	9570	280
	2.5	3280	4970	6650	8330	9970	240



Service instructions
 3/8-16 UNC: max. 20 lbf ft
 1/4 NPT: max. 20 lbf ft
 3/4 NPT: max. 40 lbf ft

Measuring procedure: Room temperature / Force-height-data quasistatic / Dynamic data at 1 Hz