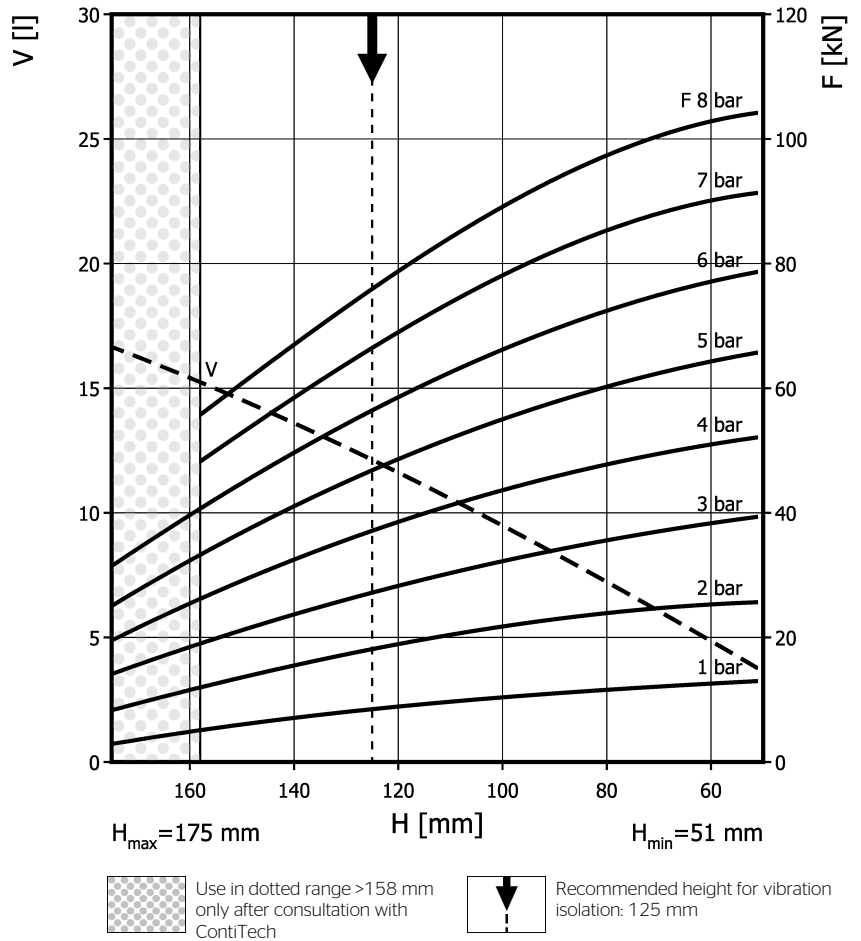
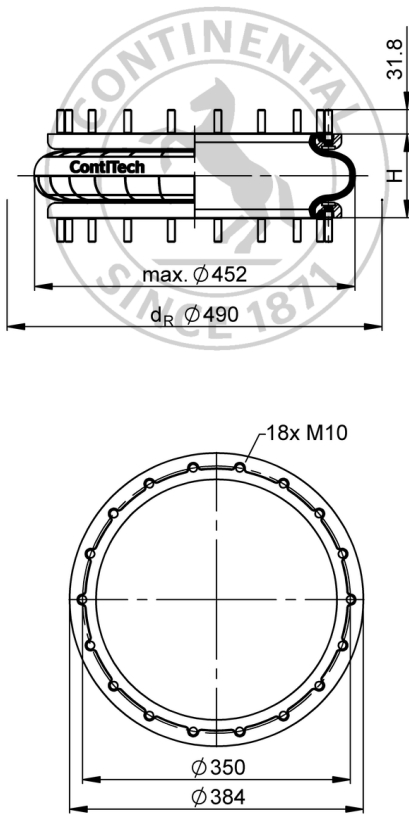


FS 960-12 RS

Single Convolution Air Actuator



Purchase order data

Type	Order No.
rubber bellows only	61775
with bead rings, 48mm bolts, nuts and washers	61898

Additional types on request

Technical data

Min. pressure	0 bar
Return force to min height	≤ 400 N
Overall weight	5 kg

Vibration isolation - dynamic characteristic values

Design height H: recommended 125mm, minimum 110mm

Pressure p [bar]	3	4	5	6	7	8	Vol. V [l]
Force (Load) [kN]	28.7	38.8	49	58.7	68.4	78.1	
Spring rate [N/mm]	595	767	924	1100	1276	1453	
Natural frequency [Hz]	2.3	2.2	2.2	2.2	2.2	2.1	

Pneumatic application - static characteristic values

Force F [kN]

Pressure p [bar]	3	4	5	6	7	8	Vol. V [l]
Height H [mm]	158	19.1	26.3	33.4	40.9	48	
	130	25.8	35.8	45.1	54.3	63.9	13
	110	30	41.2	51.7	62.3	73.5	11
	90	33.9	45.8	57.7	69.6	82.1	8.3
	70	37.6	49.6	62.8	75.3	88.2	6



Service instructions
M10: max. 40 Nm

Measuring procedure: Room temperature / Force-height-data quasistatic / Dynamic data at 1 Hz