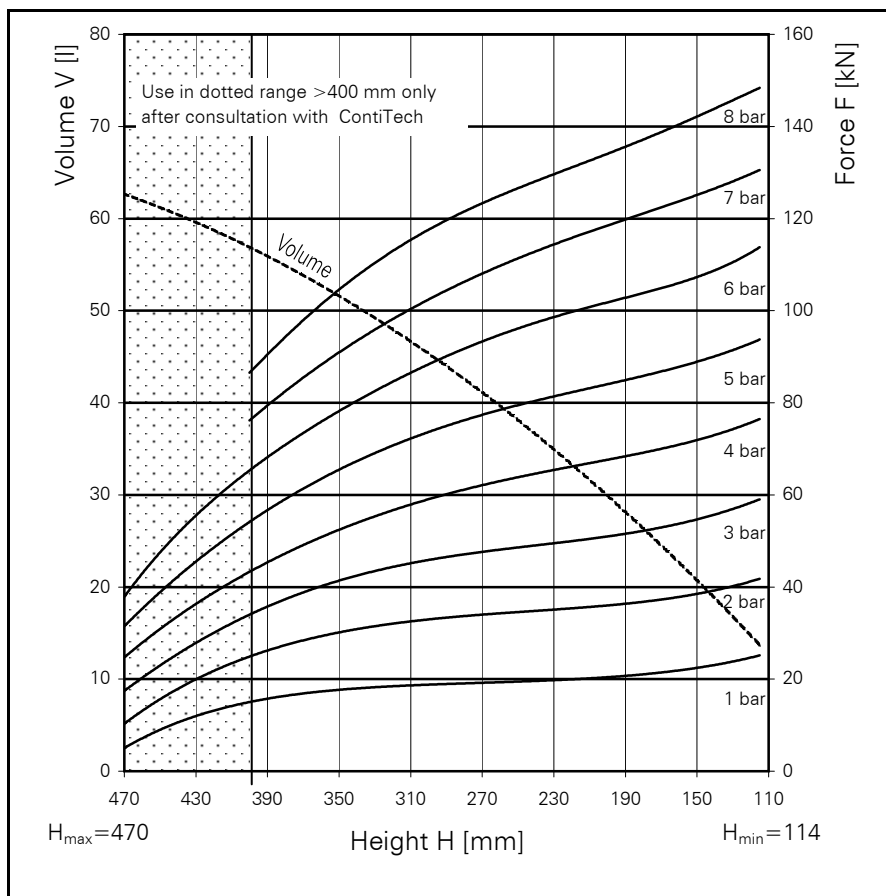
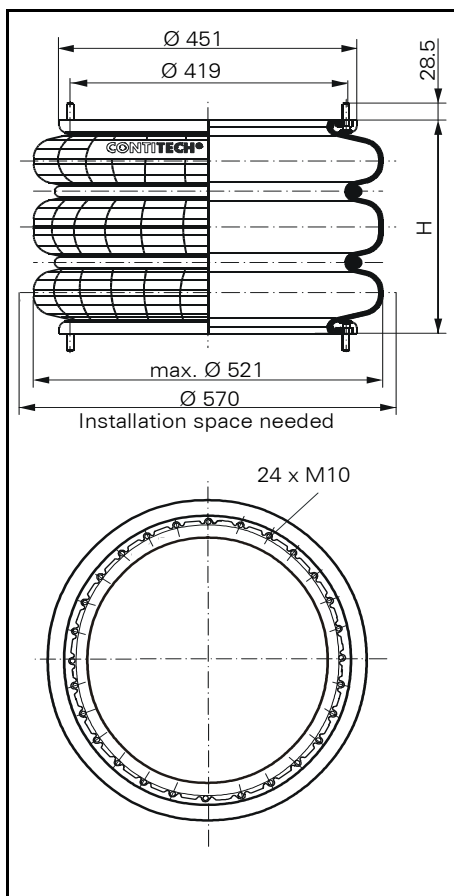


FT 1330-35

CONTI® Triple Convolution Air Spring



FT 1330-35

Force-height diagram

Purchase order data

Technical data

Type	Order No.
Rubber bellows only	61780
Bellows with bead rings 45 mm bolts, nuts and washers	61910

Min. pressure	0 bar
Return force to min. height	≤ 311 N
Overall weight with clamped plates	12.5 kg

Additional types on request

Pneumatic application - static characteristic values

Force F [kN]

Pressure p [bar]	3	4	5	6	7	8	Vol. (l)	
Height H [mm]	390	35.8	45.5	56.4	68.5	79.7	90.8	55.3
	350	41.3	52.7	65.6	77.8	90.5	104.6	51.4
	310	45.2	58.0	72.5	86.6	100.3	115.6	46.9
	270	47.3	62.2	77.5	93.5	108.0	123.4	41.7
	230	49.7	65.6	81.3	98.5	114.4	129.7	35.4
	190	51.7	68.1	84.5	102.8	119.8	135.3	28.5
	150	54.5	72.1	89.5	107.4	125.2	142.5	20.7



Service instructions
M 10 = 40 Nm