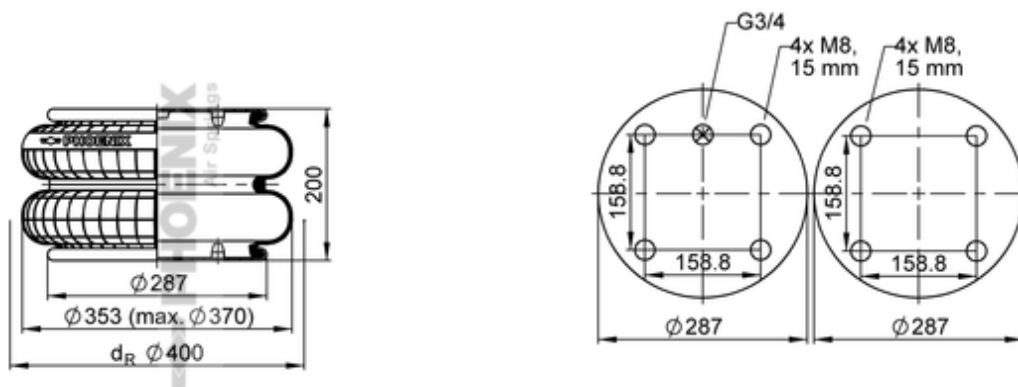






SP 2 B 34 R

71535



-  bolt or stud
-  hole
-  combination stud
-  air inlet

| | |
|--|------------------|
|  kg | 7 kg |
|  | G3/4: max. 50 Nm |
|  | M8: max. 30 Nm |

OE Manufacturer/Part No.

| Manufacturer | Original Part No. | Model |
|--------------|-------------------|-------|
| Gigant | 196071 | |
| Gigant | 700196071 | |