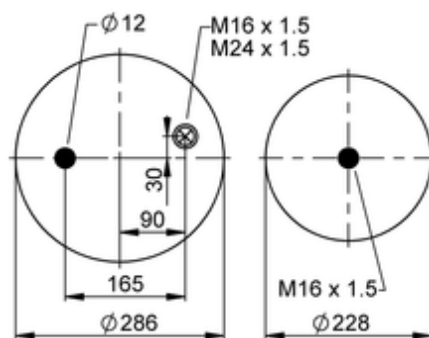
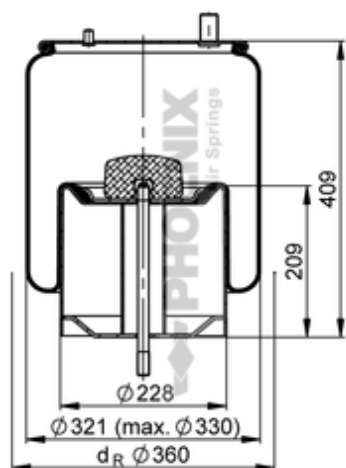


1 DK 28 F-6

74901


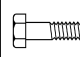






● bolt or stud

○ hole

⊗ combination stud

⊗ air inlet

 kg	12,6 kg
	K018
	
	M16x1.5: max. 180 Nm
	M16x1.5: max. 80 Nm
	M24x1.5: max. 120 Nm

OE Manufacturer/Part No.

Manufacturer	Original Part No.	Model
Volvo	25 372 795	FM / FH standard
Renault	21 978 494	Premium / Magnum standard
Renault	5.010.600.328	Premium / Magnum standard
Volvo	20 726 768	FM / FH Standard
Volvo	21 978 504	FM / FH Standard

