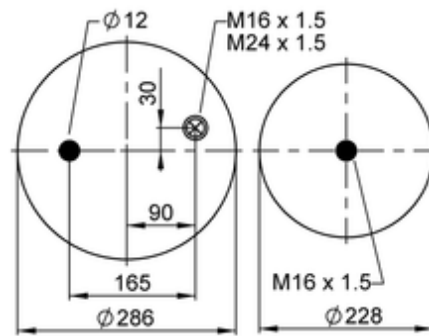
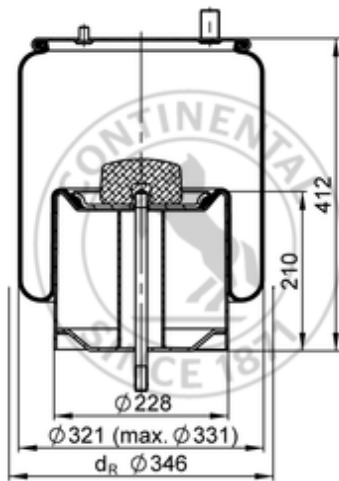


**4912 N P13**
**67834**


- bolt or stud
- hole
- combination stud
- air inlet
- stud and nut

kg	13,7 kg
	K018
	M16x1.5: max. 180 Nm
	M16x1.5: max. 80 Nm
	M24x1.5: max. 120 Nm

**OE Manufacturer/Part No.**

Manufacturer	Original Part No.	Model
Renault	7.421.978.494	Premium / Magnum standard
Renault	5.010.600.328	Premium / Magnum standard
Volvo	21 978 504	FM / FH Standard
Volvo	20 726 768	FM / FH Standard

