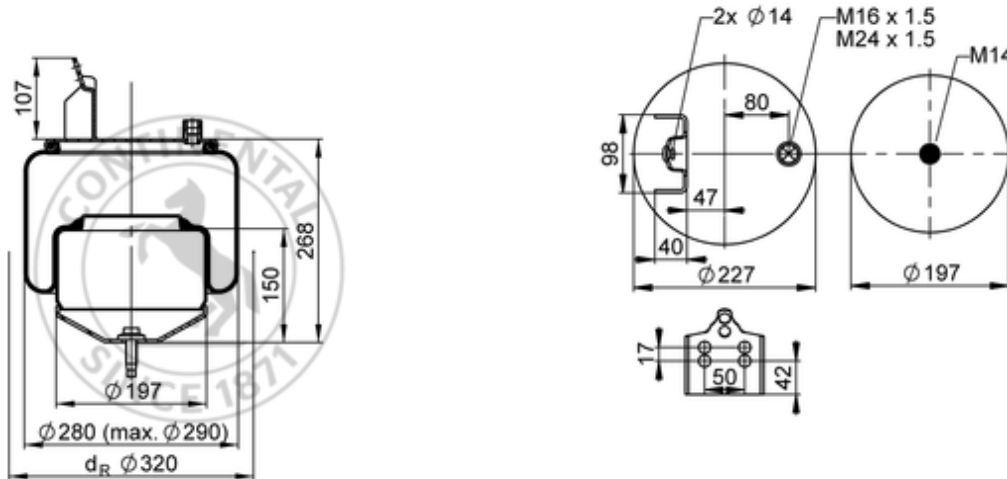


**6606 N P01**
**63369**


bolt or stud   
 hole   
 combination stud   
 air inlet   
 stud and nut

kg	6,4 kg
	K005
	M14: max. 120 Nm
	M16x1.5: max. 20 Nm
	M24x1.5: max. 60 Nm

**OE Manufacturer/Part No.**

Manufacturer	Original Part No.	Model
Volvo	20 427 805	
Volvo	20 427 804	
Volvo	20 427 801	FH 12 medium
Volvo	20 375 227	FH 12 medium
Volvo	20 456 154	FH 12 medium

Volvo	20 531 986	FH 12 medium
Volvo	3 171 694	FH medium
Volvo	21 961 443	FM / FH medium
Volvo	20 582 209	FM / FH medium