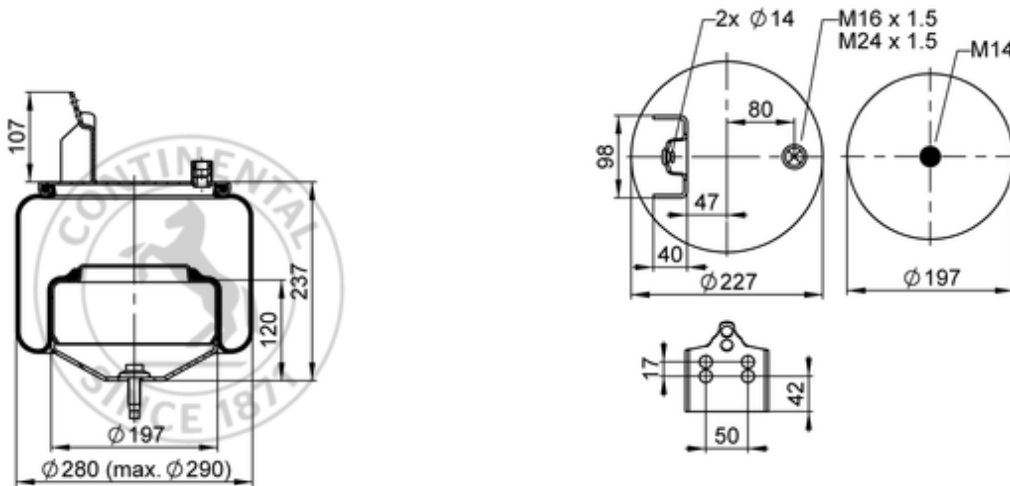


6606 N P02

69576



● bolt or stud ○ hole ⊗ combination stud ⊗ air inlet ● stud and nut

kg	5,9 kg
	K005
	M14: max. 120 Nm
	M16x1.5: max. 20 Nm
	M24x1.5: max. 60 Nm

OE Manufacturer/Part No.

Manufacturer	Original Part No.	Model
Volvo	20 456 158	
Volvo	20 427 802	
Volvo	20 375 228	
Volvo	1 076 417	
Volvo	20 427 804	

Volvo	20 427 805	
Volvo	20 531 988	FH 12 low
Volvo	21 961 447	FM / FH low
Volvo	20 582 212	FM / FH low