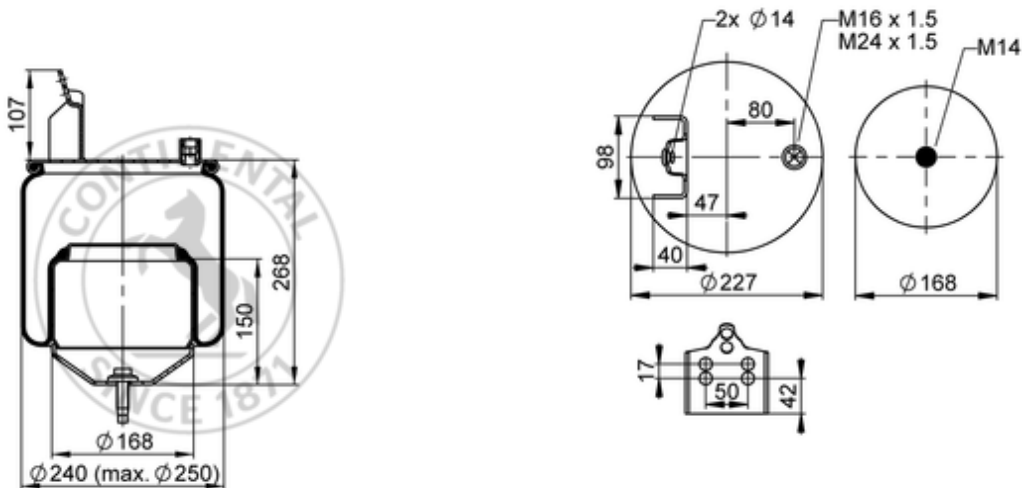


6607 N P01

63370



bolt or stud
 hole
 combination stud
 air inlet
 stud and nut

kg	5,5 kg
	K005
	M14: max. 120 Nm
	M16x1.5: max. 20 Nm
	M24x1.5: max. 60 Nm

OE Manufacturer/Part No.

Manufacturer	Original Part No.	Model
Volvo	20 531 987	FH 12 medium
Volvo	20 456 156	FH 12 medium
Volvo	20 374 511	FH 12 medium
Volvo	1 076 418	FH medium
Volvo	3 171 695	FH medium

Volvo	20 582 214	FM / FH medium
Volvo	21 961 451	FM / FH medium