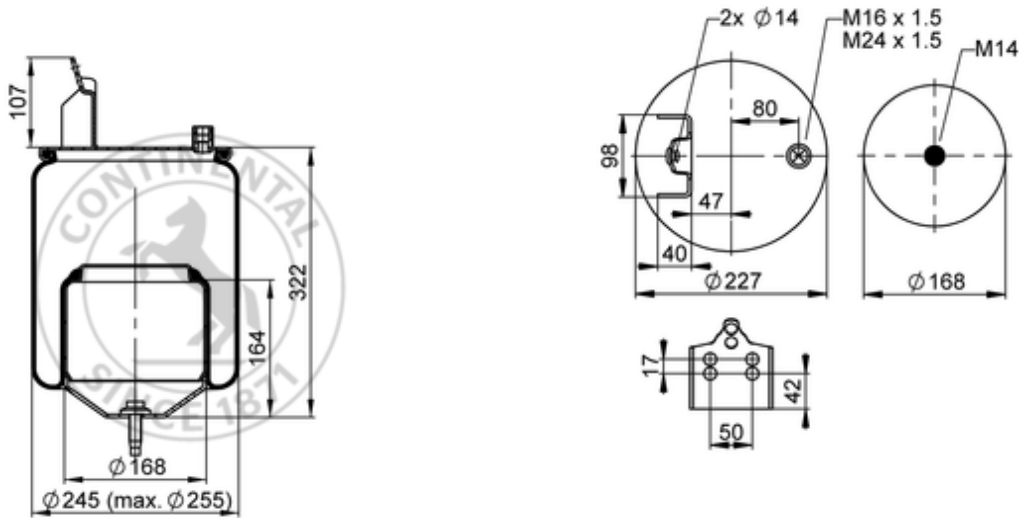


6608 N P01

63371



bolt or stud   
 hole   
 combination stud   
 air inlet   
 stud and nut

kg	5,6 kg
	K005
	M14: max. 120 Nm
	M16x1.5: max. 20 Nm
	M24x1.5: max. 60 Nm

**OE Manufacturer/Part No.**

Manufacturer	Original Part No.	Model
Renault	7.422.071.639	
Volvo	1 076 416	FH 12
Volvo	1 075 891	FH 12
Volvo	20 374 510	FH 12
Volvo	20 456 152	FH 12

Volvo	20 531 985	FH 12
Volvo	20 582 215	FM / FH standard
Volvo	21 961 456	FM / FH standard