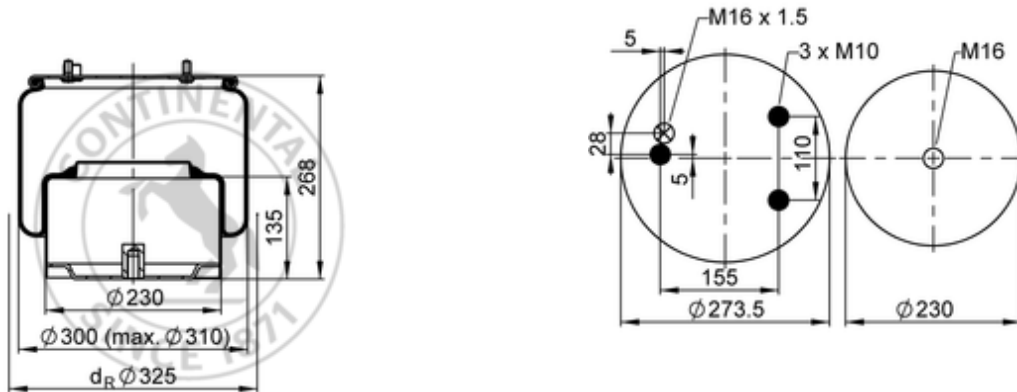


836 M K1
60209


bolt or stud
 hole
 combination stud
 air inlet
 stud and nut

	7,7 kg
	K008
	M10: max. 35 Nm
	M16: max. 130 Nm
	M16x1.5: max. 40 Nm

OE Manufacturer/Part No.

Manufacturer	Original Part No.	Model
DAF	1 529 833	
DAF	0 388 165	
DAF	1 697 678	CF 65
DAF	1 697 678	CF 75-85
DAF	1 697 678	LF 45-55

DAF

1 697 678

XF 95-105