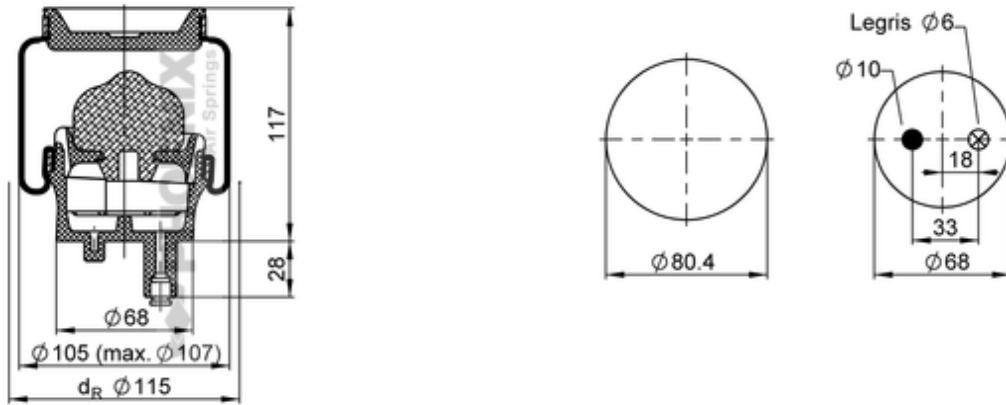


C 075 185

72006





● bolt or stud

○ hole

⊗ combination stud

⊗ air inlet

 kg	0,5 kg
	9320092

OE Manufacturer/Part No.

Manufacturer	Original Part No.	Model
Volvo	20 906 196	Premium
Renault	5.010.130.797.G	Premium
Renault	5.010.629.414	Premium