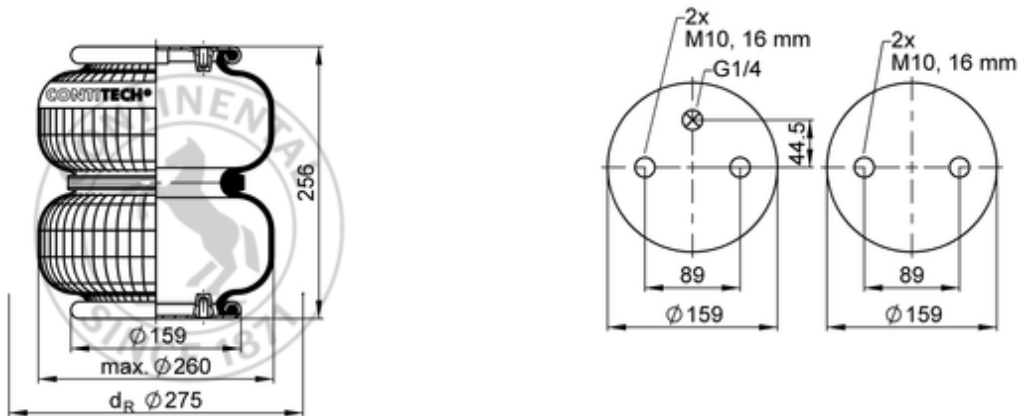


FD 200-25 1/4 M10
62892


bolt or stud
 hole
 combination stud
 air inlet
 stud and nut

| | |
|----|------------------|
| kg | 3 kg |
| | K023 |
| | G1/4: max. 25 Nm |
| | M10: max. 35 Nm |

OE Manufacturer/Part No.

| Manufacturer | Original Part No. | Model |
|--------------|-------------------|-------|
| Meritor | 2122 1356 | |
| Jost | JAE 20 107 021 01 | |
| Jost | 2010702101 | |
| Weweler | US 07394C | |
| Schmitz | 016 808 | |
| Granning | 15670 | |
| Daimler TAS | A 946 328 21 01 | |
| Weweler | US 07394F | |

| | | |
|---------|----------|--------|
| Weweler | US 07394 | AC 173 |
| Valx | 81005002 | HD100 |