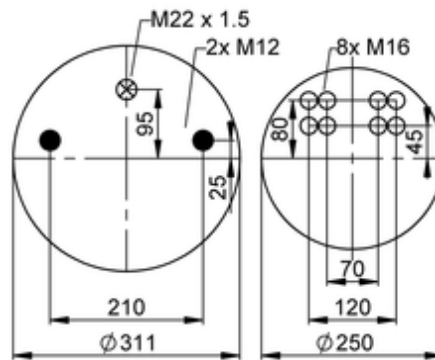
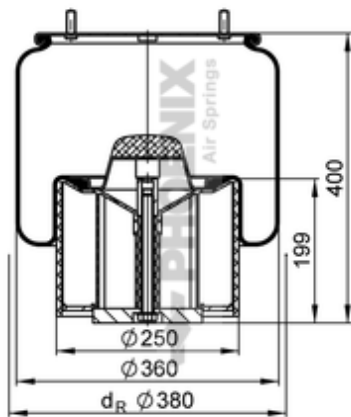


1 DK 32-2

72328


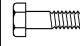






● bolt or stud

○ hole

⊗ combination stud

⊗ air inlet

 kg	16,8 kg
	K029
	
	M12: max. 70 Nm
	M16: max. 230 Nm
	M22x1.5: max. 20 Nm

OE Manufacturer/Part No.

Manufacturer	Original Part No.	Model
BPW	05.429.43.51.0	36
Hüffermann	6-AB8003-0100	36
Schmitz	750 496	36
Schmitz	751 549	36
Scania	2198330	36

