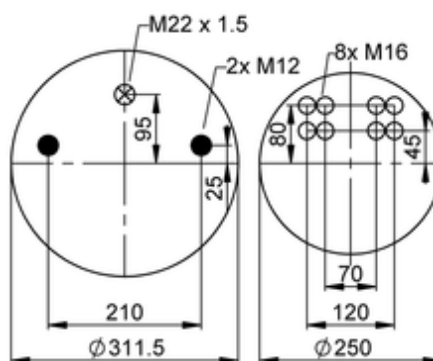
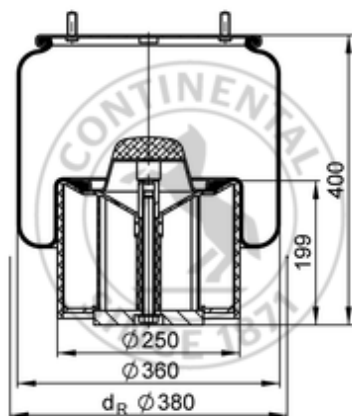

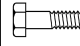






881 MB P30

73423



 bolt or stud   
  hole   
  combination stud   
  air inlet   
  stud and nut

 kg	13,7 kg
	K029
	
	M12: max. 70 Nm
	M16: max. 230 Nm
	M22x1.5: max. 20 Nm

### OE Manufacturer/Reference No.

Manufacturer	Original-part no.	Model
BPW	05.429.43.51.0	36
Hüffermann	6-AB8003-0100	36
Scania	2198330	36
Schmitz	750 496	36
Schmitz	751 549	36

