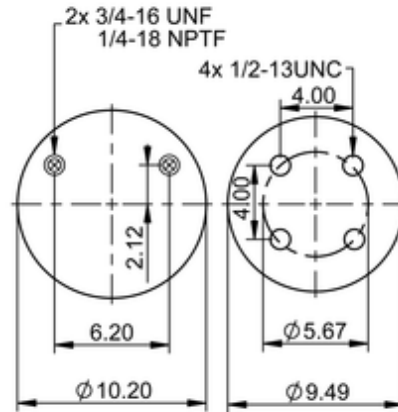
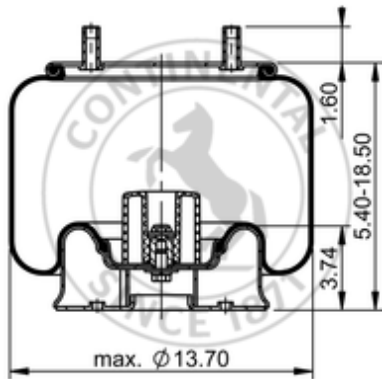


10 10-16 S 724
64649


	19.8 lb
	9309758
	1/2-13 UNC: max. 35 lbf ft
	1/4-18 NPTF: max. 22 lbf ft
	3/4-16 UNF: max. 50 lbf ft

Cross-reference

Firestone No.	W01-358-8637
FleetPride	AS8637
Goodyear	1R13-155
Goodyear Flex No.	566263051
Triangle	AS-8724
TRP	AS07243

Automann

1DK25E-8637

OE Manufacturer/Part No.

Manufacturer	Original Part No.	Model
Watson & Chalin	AS-0107-G	